

THE ARCHITECTURAL DETAILS CONTAINED ARE PROVIDED FOR CONCEPTUAL PURPOSES ONLY. ALFREX ONLY MANUFACTURES MCM PANELS. PANEL SYSTEMS AND ASSEMBLY DESIGN, FABRICATION, AND INSTALLATION ARE PROVIDED BY QUALIFIED FABRICATORS AND INSTALLERS. ALFREX, INC. DOES NOT MAKE ANY WARRANTIES, EXPRESS OR IMPLIED INCLUDING MERCHANTABILITY AND FITNESS FOR PURPOSE. PLEASE CONSULT ALFREX, INC. FOR RECOMMENDATIONS OF TESTED SYSTEMS AVAILABLE IN THE MARKET.

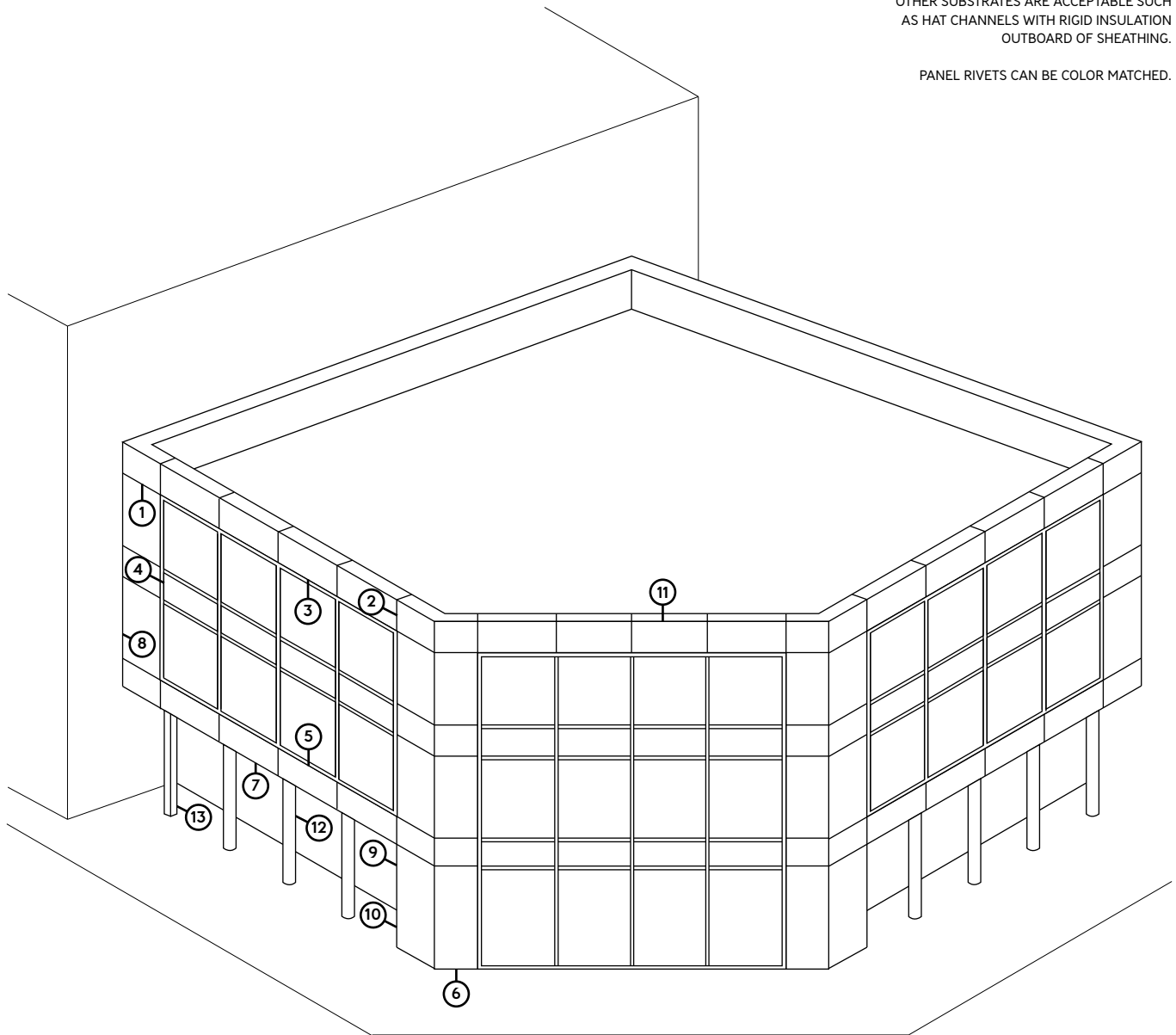
ARCH / FABRICATOR NOTES:

MAX PANEL SIZE IS 60" IN EITHER DIRECTION.

MICA / METALLIC FINISHES ARE DIRECTIONAL FINISHES AND MUST BE INSTALLED IN THE SAME DIRECTION FOR CONSISTENT COLOR.

DETAILS SHOWN ARE IN A RAINSCREEN APPLICATION ON EXTERIOR GWB SHEATHING WITH COMMERCIAL TYVEK (OR SIMILAR). OTHER SUBSTRATES ARE ACCEPTABLE SUCH AS HAT CHANNELS WITH RIGID INSULATION OUTBOARD OF SHEATHING.

PANEL RIVETS CAN BE COLOR MATCHED.

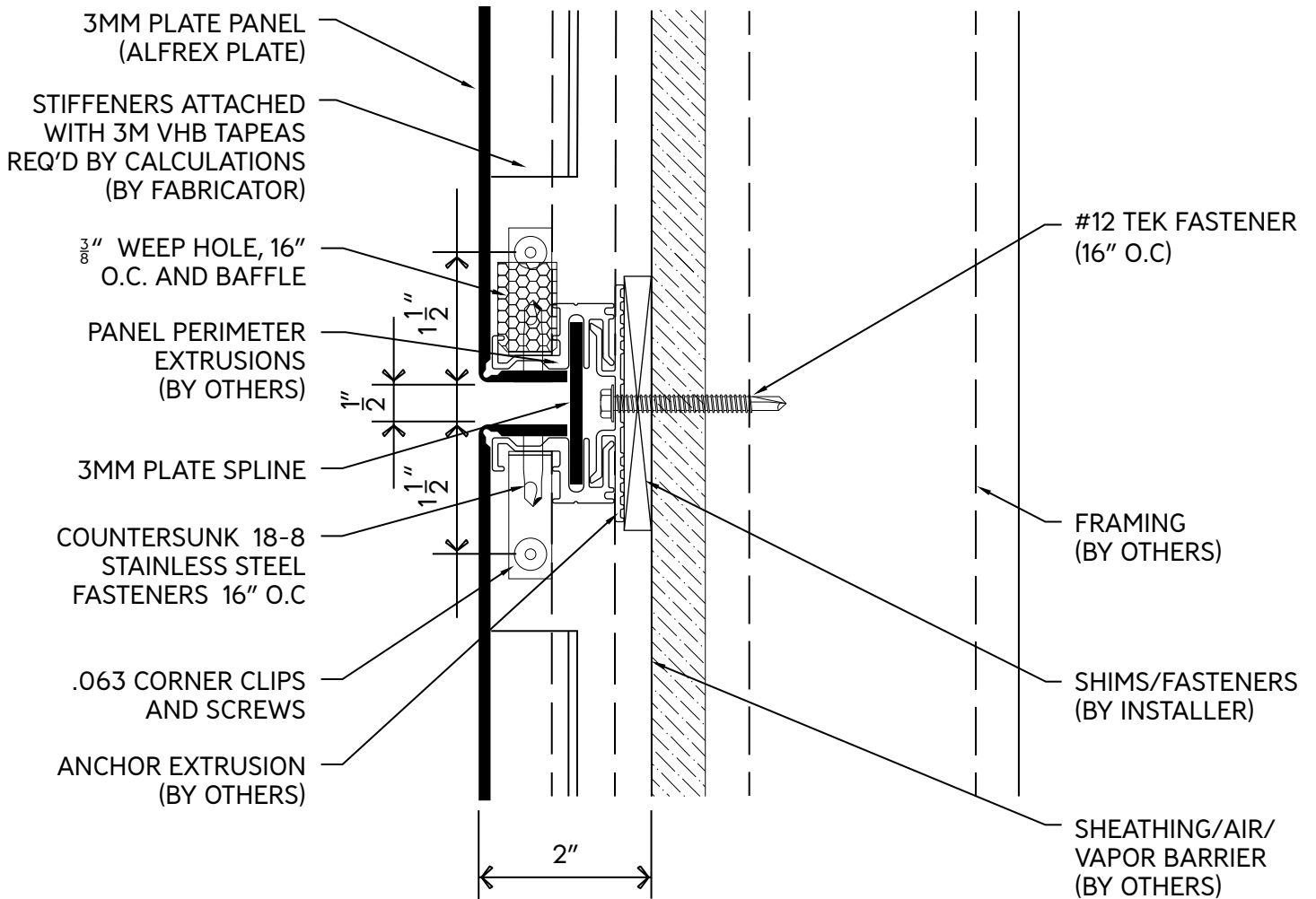


943 Gainesville Hwy. Bldg 100-4000 Buford, GA 30518
470.589.7449 alfrex@alfrexusa.com

GENERIC RAINSCREEN SYSTEM APPLICATION

D-15-Alfred Plate General Rainscreen Panel Application

PAGE
KEY
May 2021



1
AL

HORIZONTAL JOINT

alfrex

943 Gainesville Hwy. Bldg 100-4000 Buford, GA 30518
470.589.7449 alfrex@alfrexusa.com

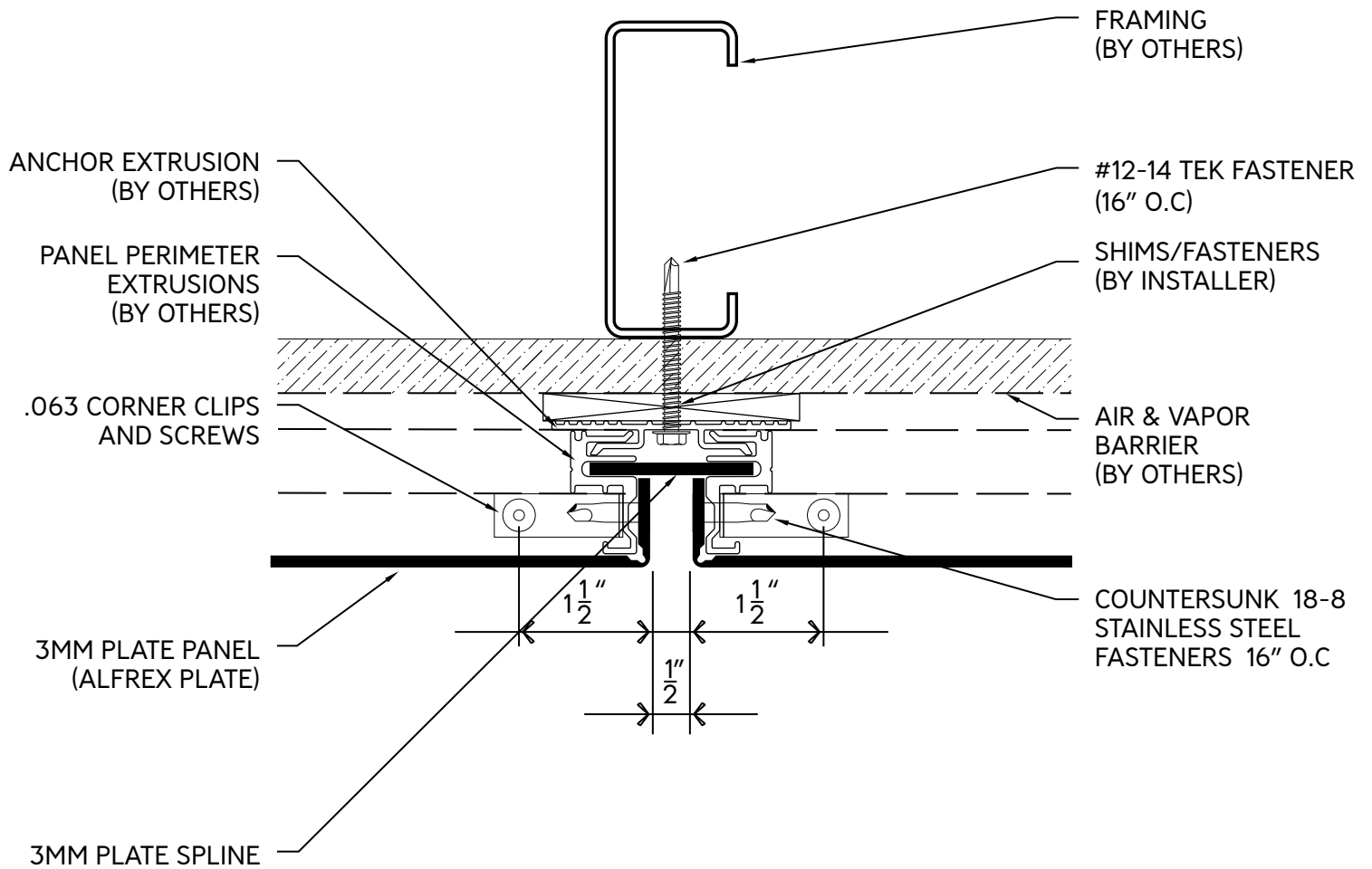
**GENERIC RAINSCREEN
SYSTEM APPLICATION**

D-15-Alfrex Plate General Rainscreen Panel Application

PAGE

1

May 2021



2
AL

VERTICAL JOINT

alfrex

943 Gainesville Hwy. Bldg 100-4000 Buford, GA 30518
470.589.7449 alfrex@alfrexusa.com

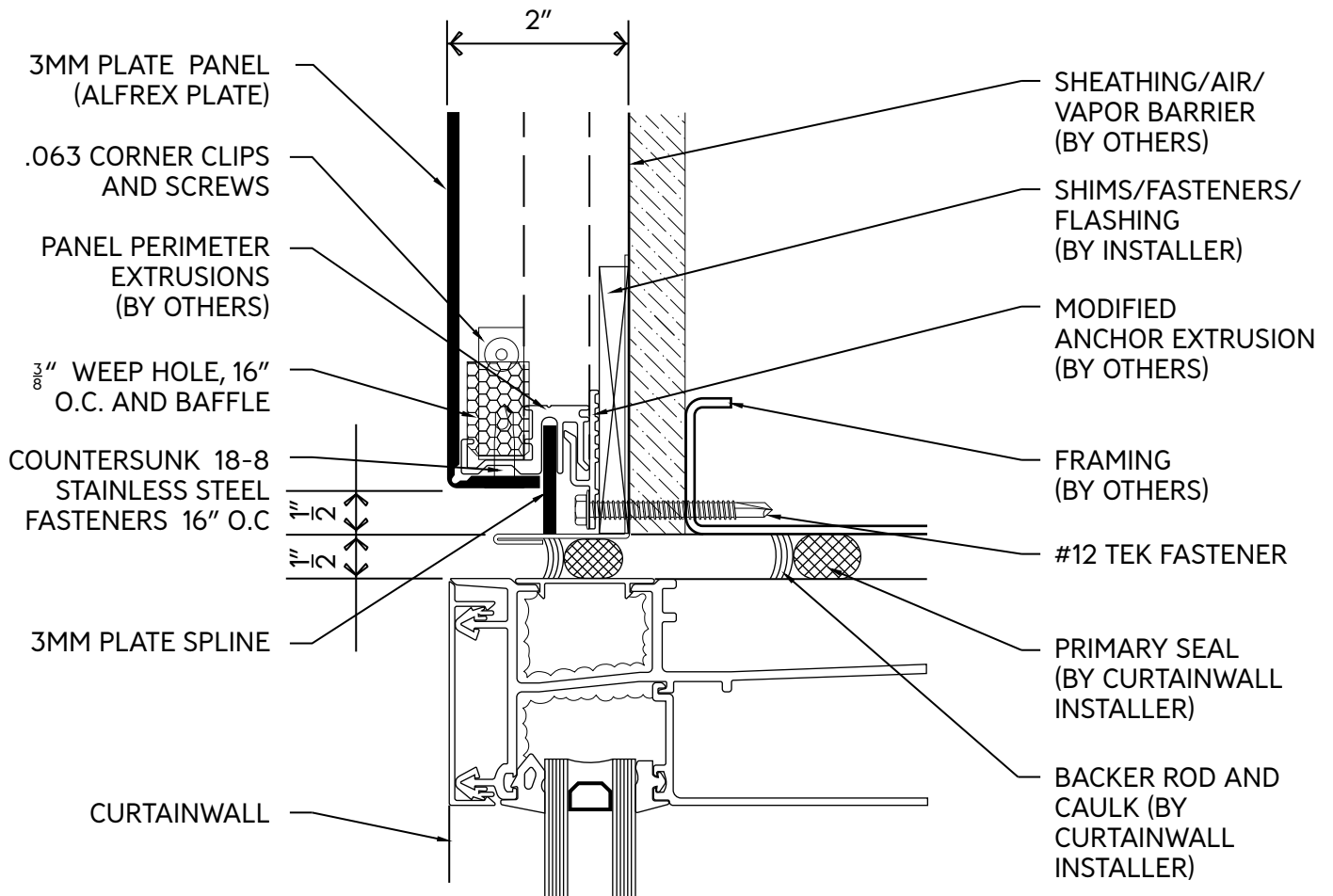
**GENERIC RAINSCREEN
SYSTEM APPLICATION**

D-15-Alfrex Plate General Rainscreen Panel Application

PAGE

2

May 2021



alfrex

943 Gainesville Hwy. Bldg 100-4000 Buford, GA 30518
470.589.7449 alfrex@alfrexusa.com

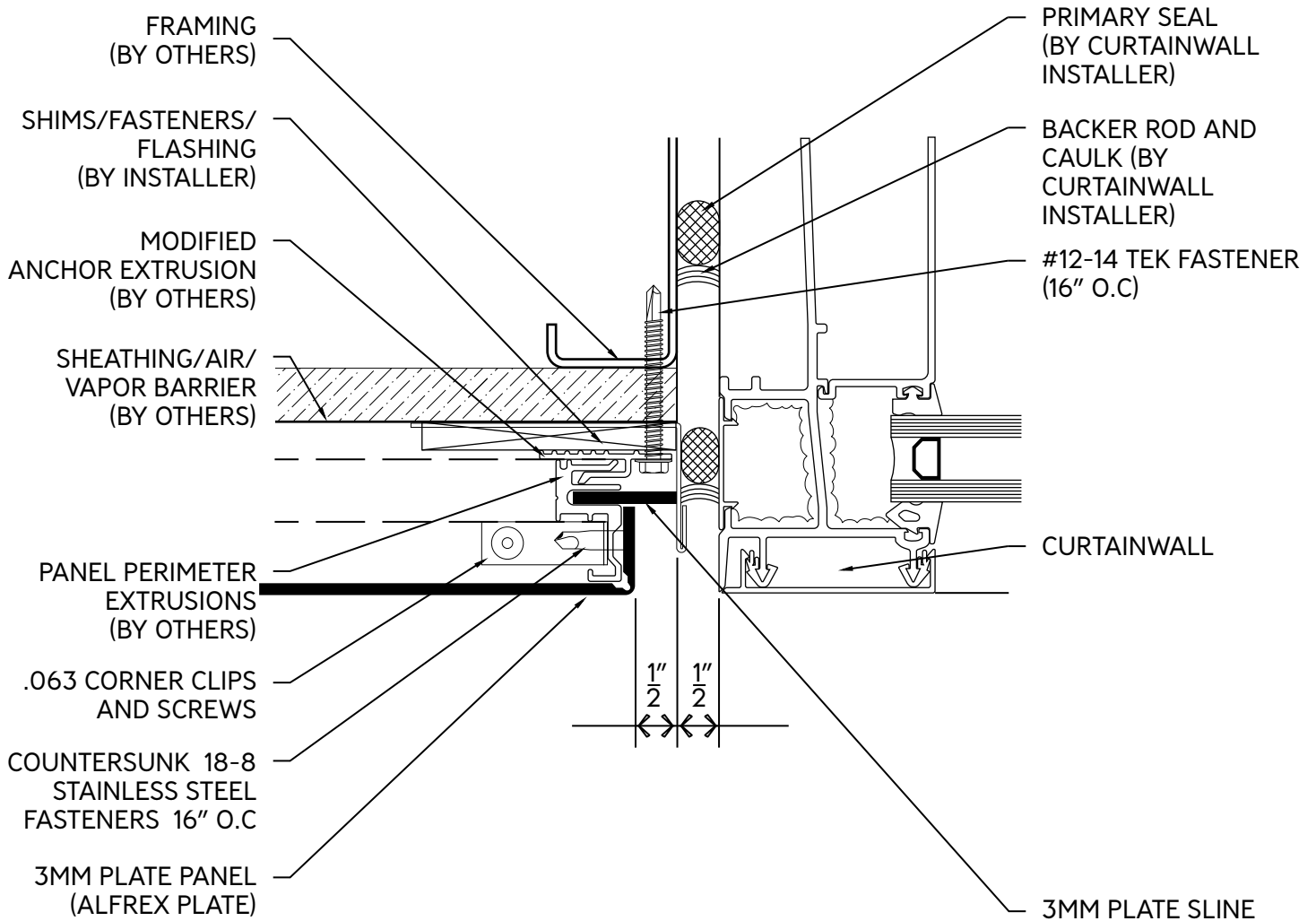
**GENERIC RAINSCREEN
SYSTEM APPLICATION**

D-15-Alfrex Plate General Rainscreen Panel Application

PAGE

3

May 2021



4
AL

JAMB

alfrex

943 Gainesville Hwy. Bldg 100-4000 Buford, GA 30518
470.589.7449 alfrex@alfrexusa.com

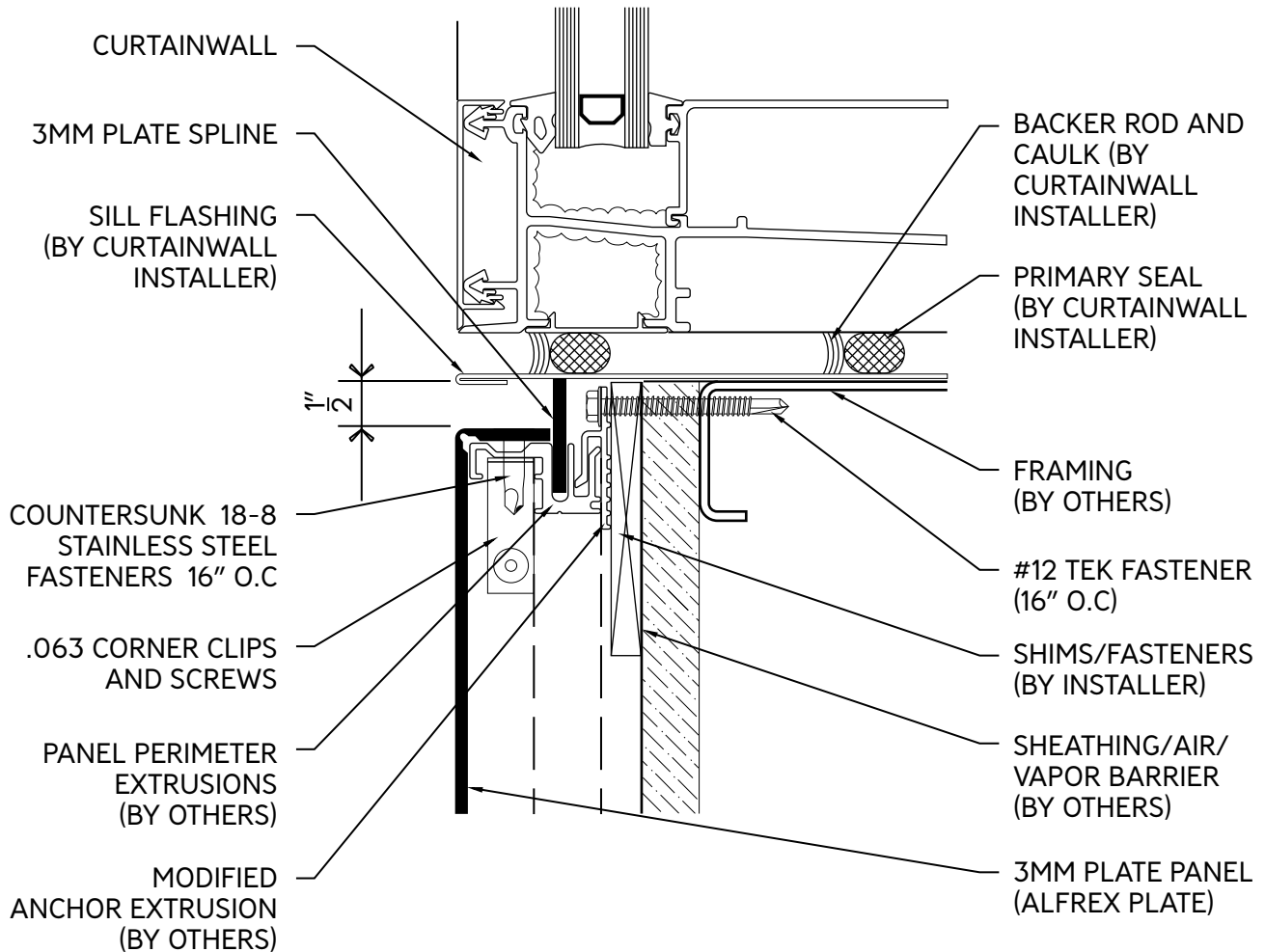
**GENERIC RAINSCREEN
SYSTEM APPLICATION**

D-15-Alfrex Plate General Rainscreen Panel Application

PAGE

4

May 2021



5
AL

SILL

alfrex

943 Gainesville Hwy. Bldg 100-4000 Buford, GA 30518
470.589.7449 alfrex@alfrexusa.com

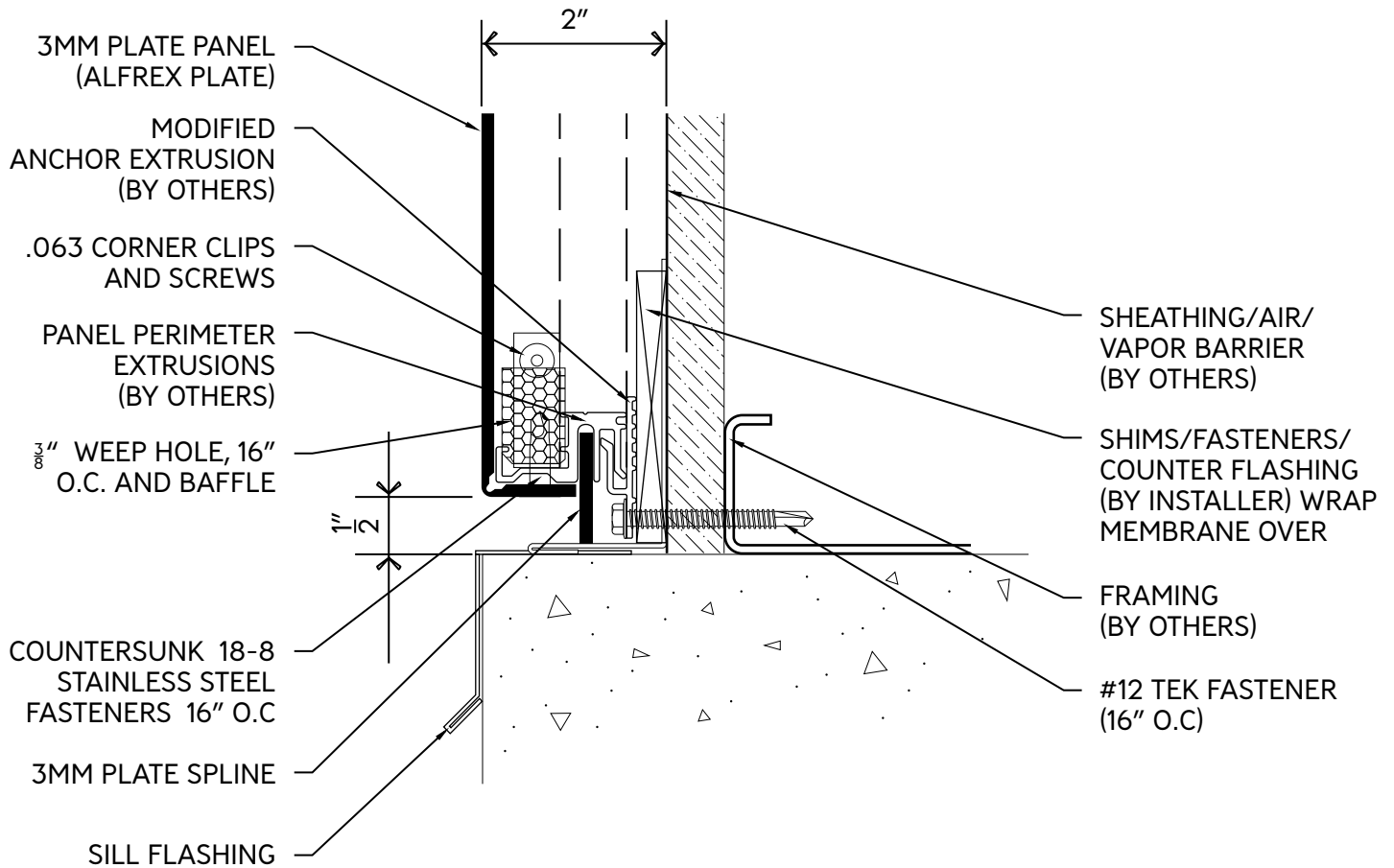
**GENERIC RAINSCREEN
SYSTEM APPLICATION**

D-I5-Alfrex Plate General Rainscreen Panel Application

PAGE

5

May 2021



6
AL

BASE CONDITION

alfrex

943 Gainesville Hwy. Bldg 100-4000 Buford, GA 30518
470.589.7449 alfrex@alfrexusa.com

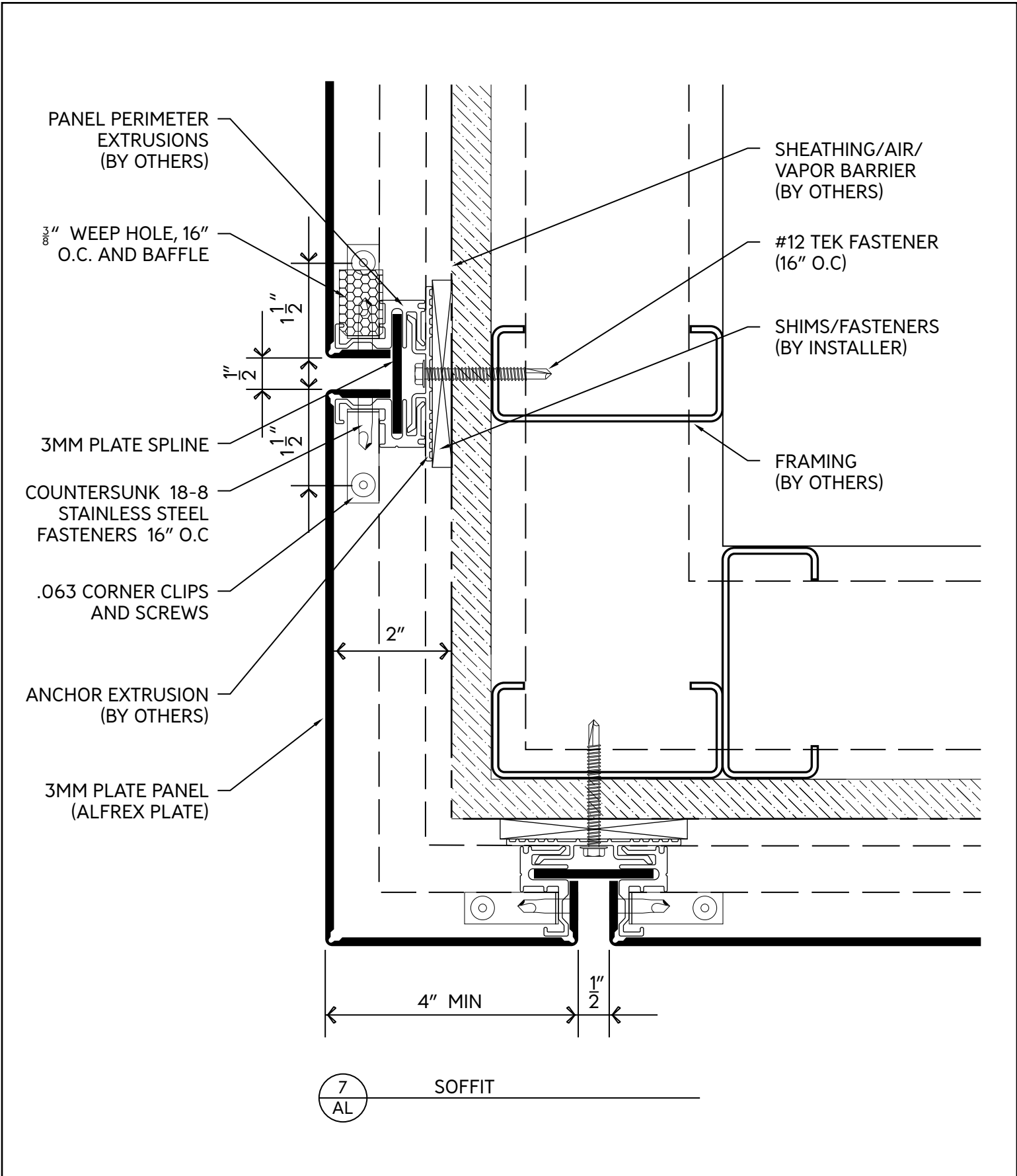
**GENERIC RAINSCREEN
SYSTEM APPLICATION**

D-15-Alfrex Plate General Rainscreen Panel Application

PAGE

6

May 2021



alfrex

943 Gainesville Hwy. Bldg 100-4000 Buford, GA 30518
470.589.7449 alfrex@alfrexusa.com

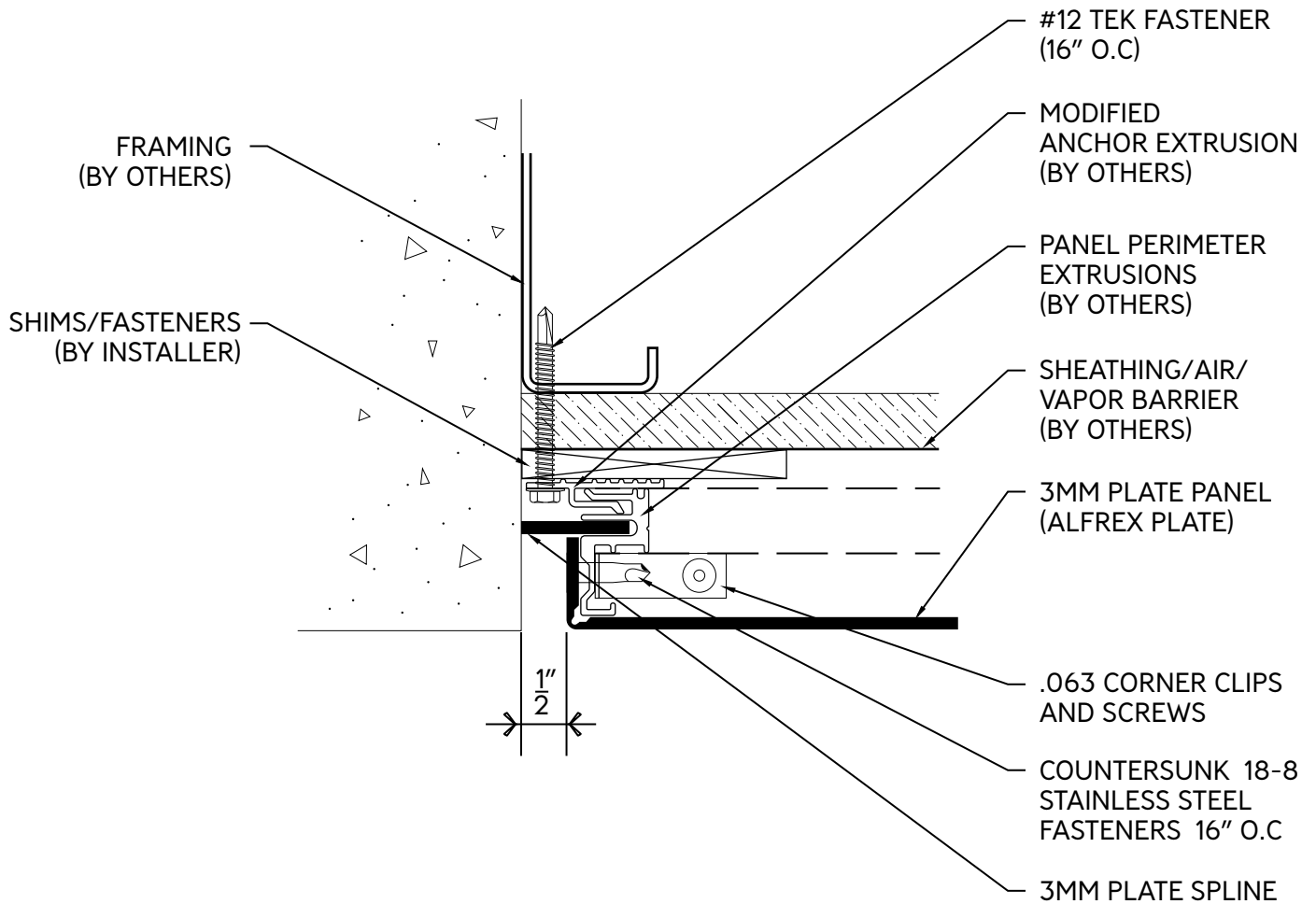
**GENERIC RAINSCREEN
SYSTEM APPLICATION**

D-I5-Alfrex Plate General Rainscreen Panel Application

PAGE

7

May 2021



8
AL

TERMINATION

alfrex

943 Gainesville Hwy. Bldg 100-4000 Buford, GA 30518
470.589.7449 alfrex@alfrexusa.com

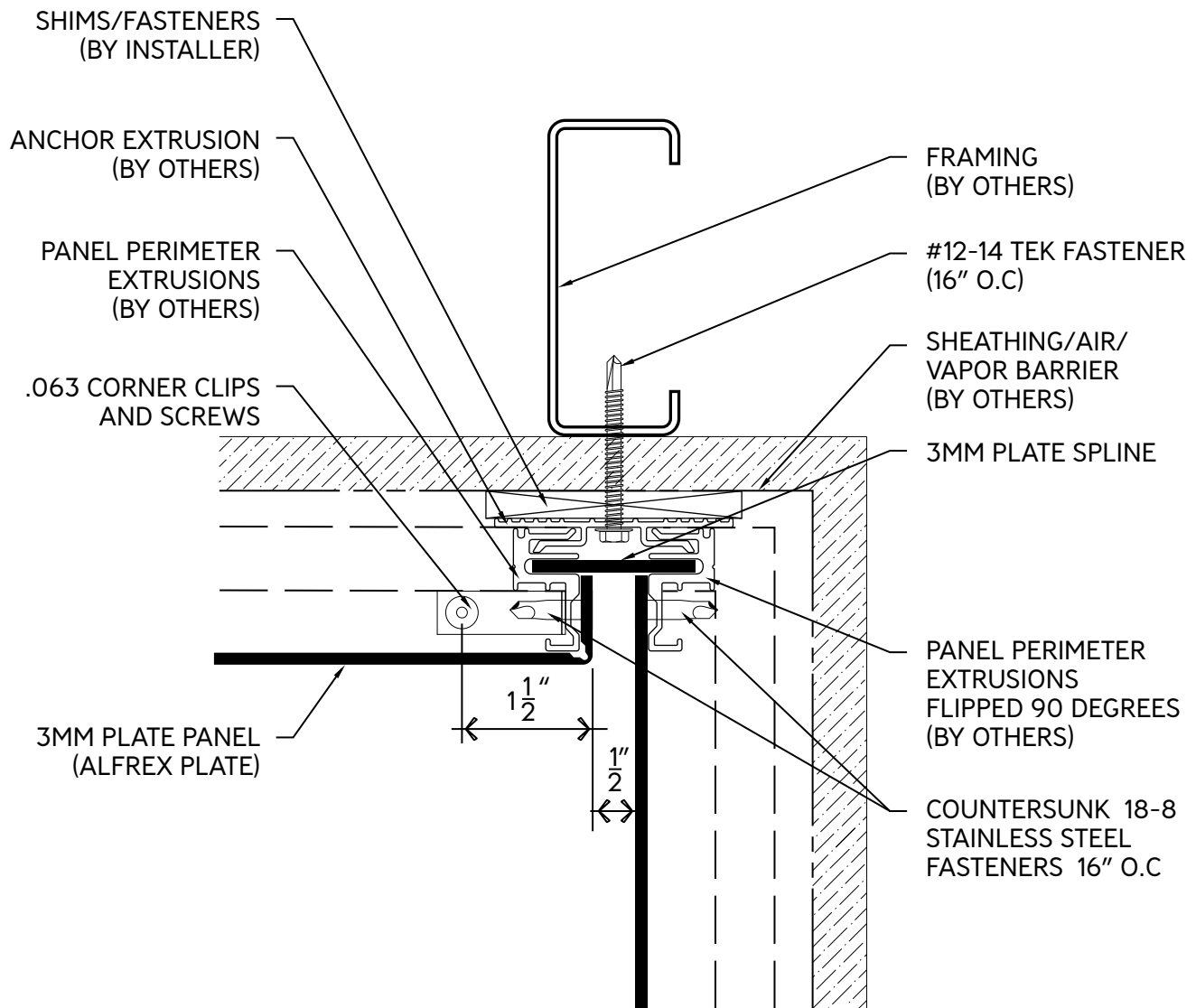
**GENERIC RAINSCREEN
SYSTEM APPLICATION**

D-I5-Alfrex Plate General Rainscreen Panel Application

PAGE

8

May 2021



9
AL

INSIDE CORNER

alfrex

943 Gainesville Hwy. Bldg 100-4000 Buford, GA 30518
470.589.7449 alfrex@alfrexusa.com

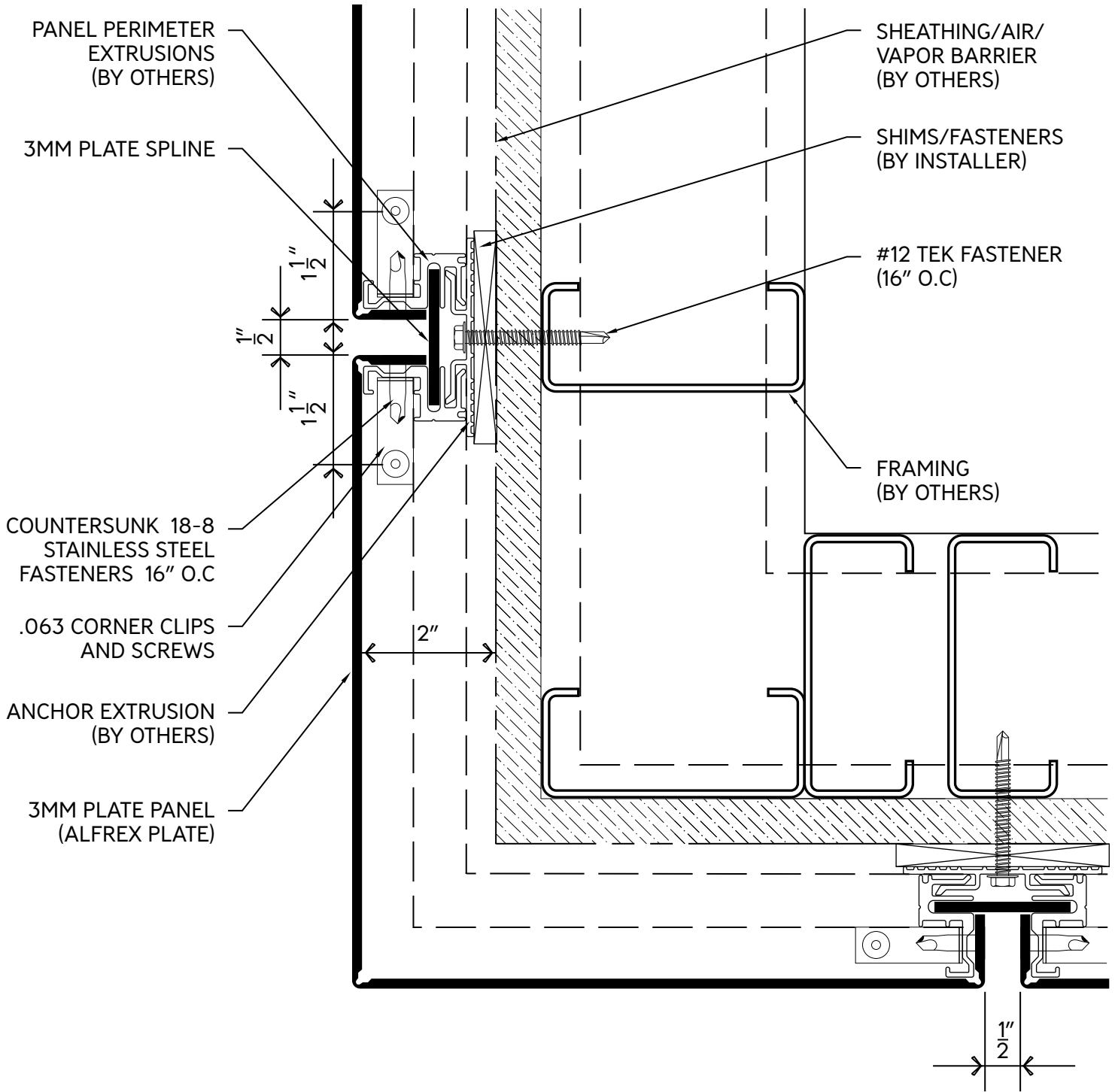
**GENERIC RAINSCREEN
SYSTEM APPLICATION**

D-15-Alfrex Plate General Rainscreen Panel Application

PAGE

9

May 2021



10
AL

OUTSIDE CORNER

alfrex

943 Gainesville Hwy. Bldg 100-4000 Buford, GA 30518
470.589.7449 alfrex@alfrexusa.com

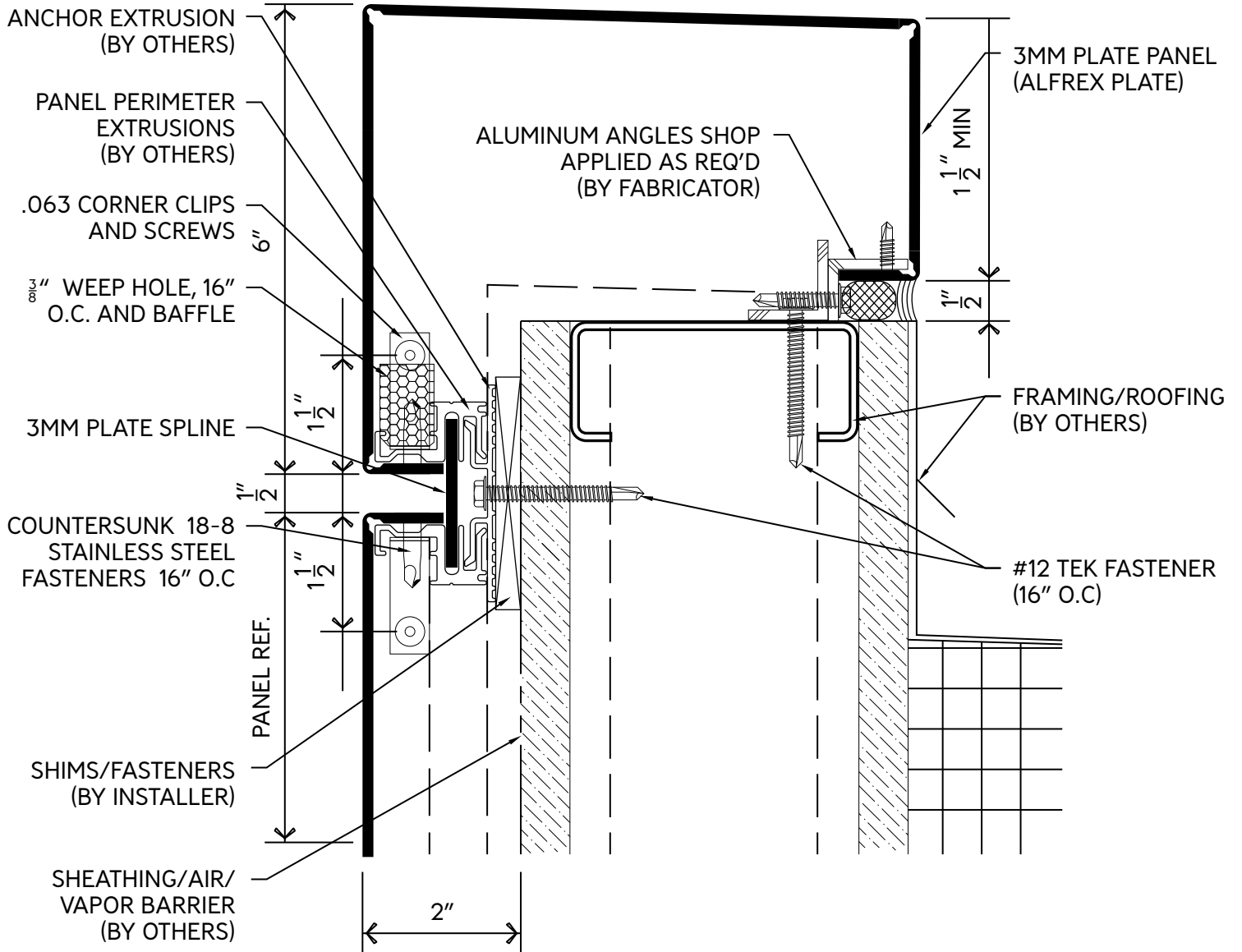
**GENERIC RAINSCREEN
SYSTEM APPLICATION**

D-15-Alfrex Plate General Rainscreen Panel Application

PAGE

10

May 2021



11
AL

PARAPET OPTION 2

alfrex

943 Gainesville Hwy. Bldg 100-4000 Buford, GA 30518
470.589.7449 alfrex@alfrexusa.com

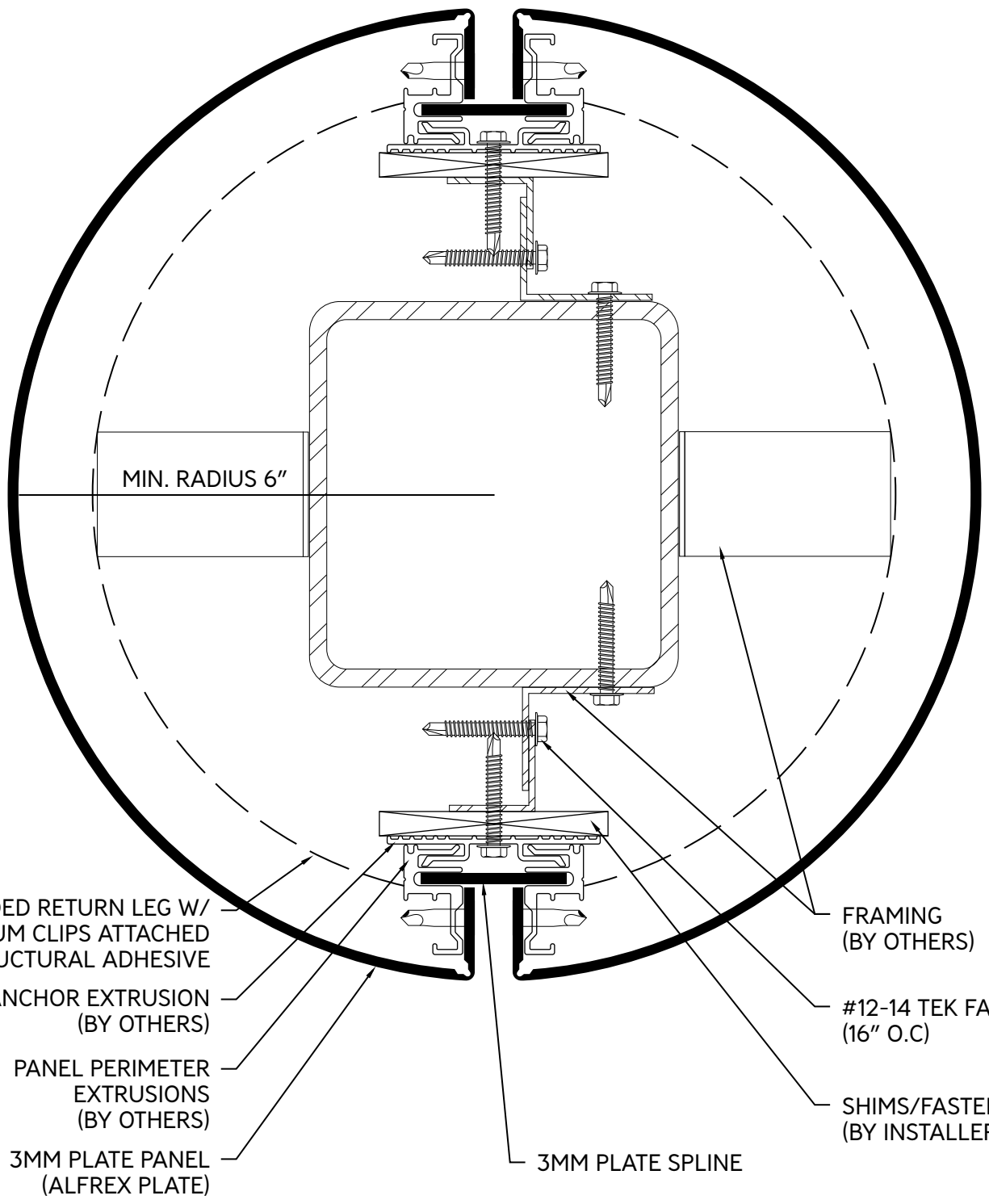
**GENERIC RAINSCREEN
SYSTEM APPLICATION**

D-15-Alfrex Plate General Rainscreen Panel Application

PAGE

11

May 2021



AIR WELDED RETURN LEG W/
ALUMINUM CLIPS ATTACHED
W/ STRUCTURAL ADHESIVE

ANCHOR EXTRUSION
(BY OTHERS)

PANEL PERIMETER
EXTRUSIONS
(BY OTHERS)

3MM PLATE PANEL
(ALFLEX PLATE)

3MM PLATE SPLINE

FRAMING
(BY OTHERS)

#12-14 TEK FASTENER
(16" O.C)

SHIMS/FASTENERS
(BY INSTALLER)

12
AL

ROUND COLUMN COVER

alfrex

943 Gainesville Hwy. Bldg 100-4000 Buford, GA 30518
470.589.7449 alfrex@alfrexusa.com

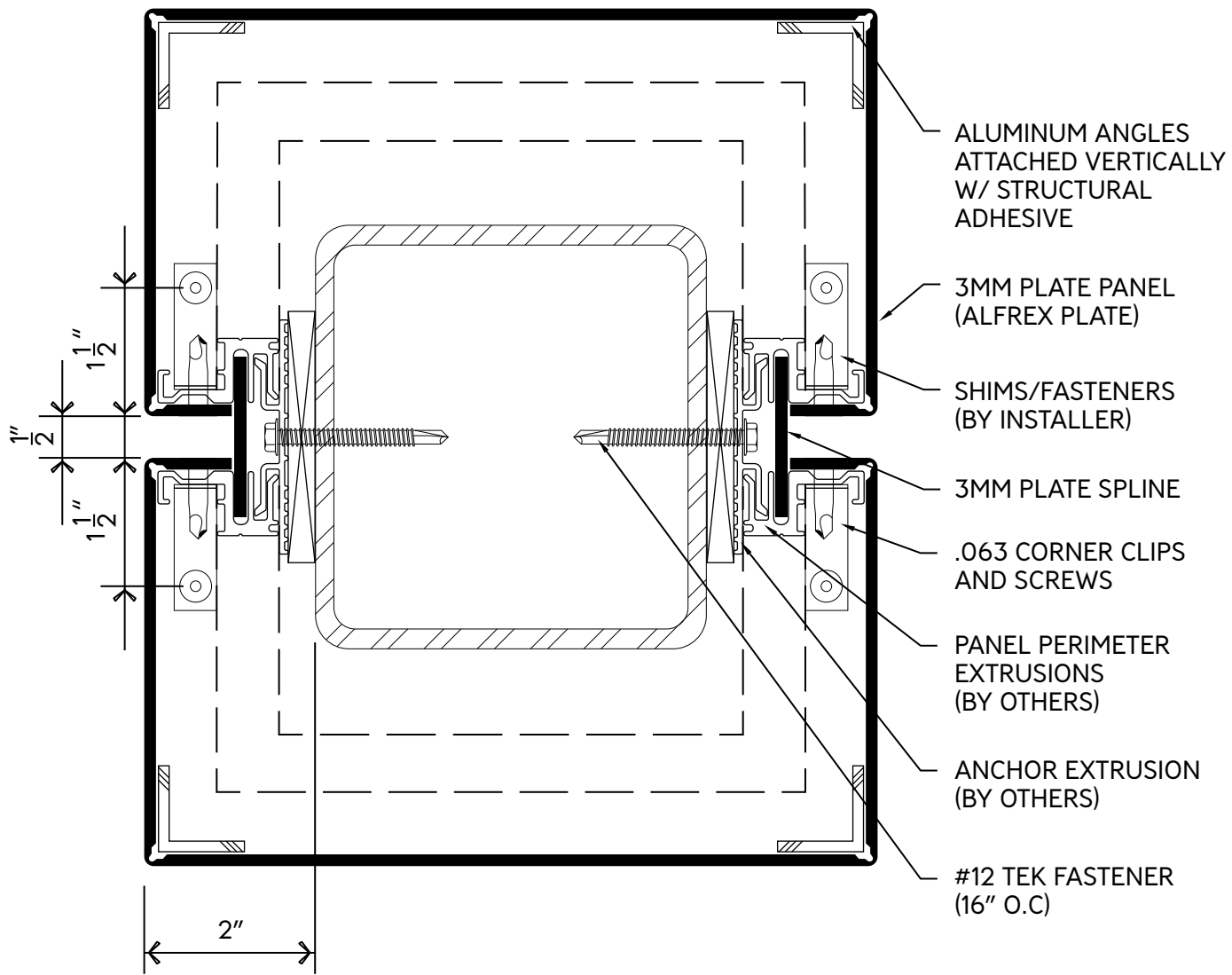
**GENERIC RAINSCREEN
SYSTEM APPLICATION**

D-15-Alflex Plate General Rainscreen Panel Application

PAGE

12

May 2021



13
AL
SQUARE COLUMN COVER



943 Gainesville Hwy. Bldg 100-4000 Buford, GA 30518
 470.589.7449 alfred@alfrexusa.com

GENERIC RAINSCREEN SYSTEM APPLICATION

D-15-Alflex Plate General Rainscreen Panel Application