

THE ARCHITECTURAL DETAILS CONTAINED ARE PROVIDED FOR CONCEPTUAL PURPOSES ONLY. ALFREX ONLY MANUFACTURES MCM PANELS. PANEL SYSTEMS AND ASSEMBLY DESIGN, FABRICATION, AND INSTALLATION ARE PROVIDED BY QUALIFIED FABRICATORS AND INSTALLERS. ALFREX, LLC DOES NOT MAKE ANY WARRANTIES, EXPRESS OR IMPLIED INCLUDING MERCHANTABILITY AND FITNESS FOR PURPOSE. PLEASE CONSULT ALFREX, LLC FOR RECOMMENDATIONS OF TESTED SYSTEMS AVAILABLE IN THE MARKET.

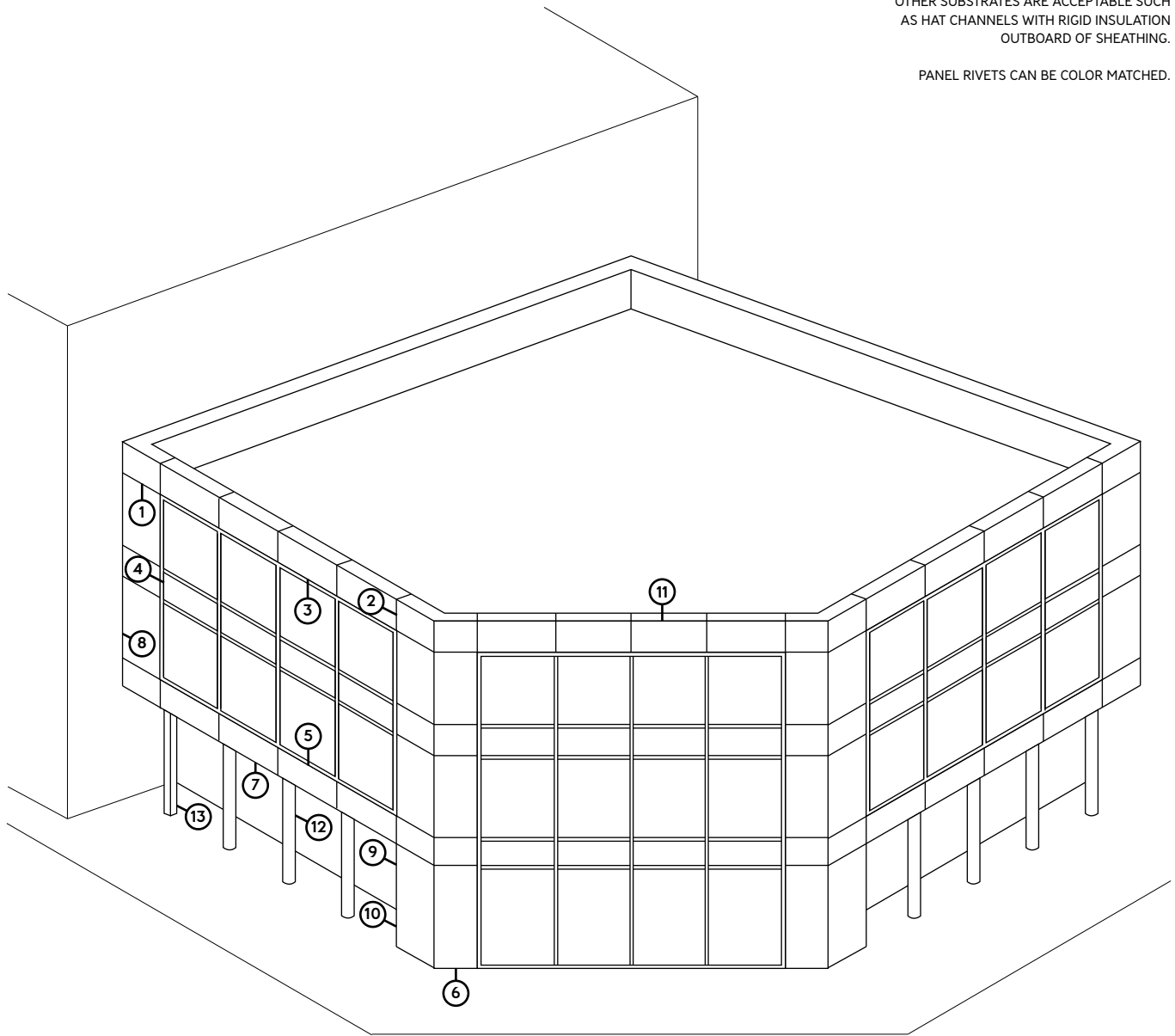
ARCH / FABRICATOR NOTES:

MAX PANEL SIZE IS 60" IN EITHER DIRECTION.

MICA / METALLIC FINISHES ARE DIRECTIONAL FINISHES AND MUST BE INSTALLED IN THE SAME DIRECTION FOR CONSISTENT COLOR.

DETAILS SHOWN ARE IN A RAINSCREEN APPLICATION ON EXTERIOR GWB SHEATHING WITH COMMERCIAL TYVEK (OR SIMILAR). OTHER SUBSTRATES ARE ACCEPTABLE SUCH AS HAT CHANNELS WITH RIGID INSULATION OUTBOARD OF SHEATHING.

PANEL RIVETS CAN BE COLOR MATCHED.

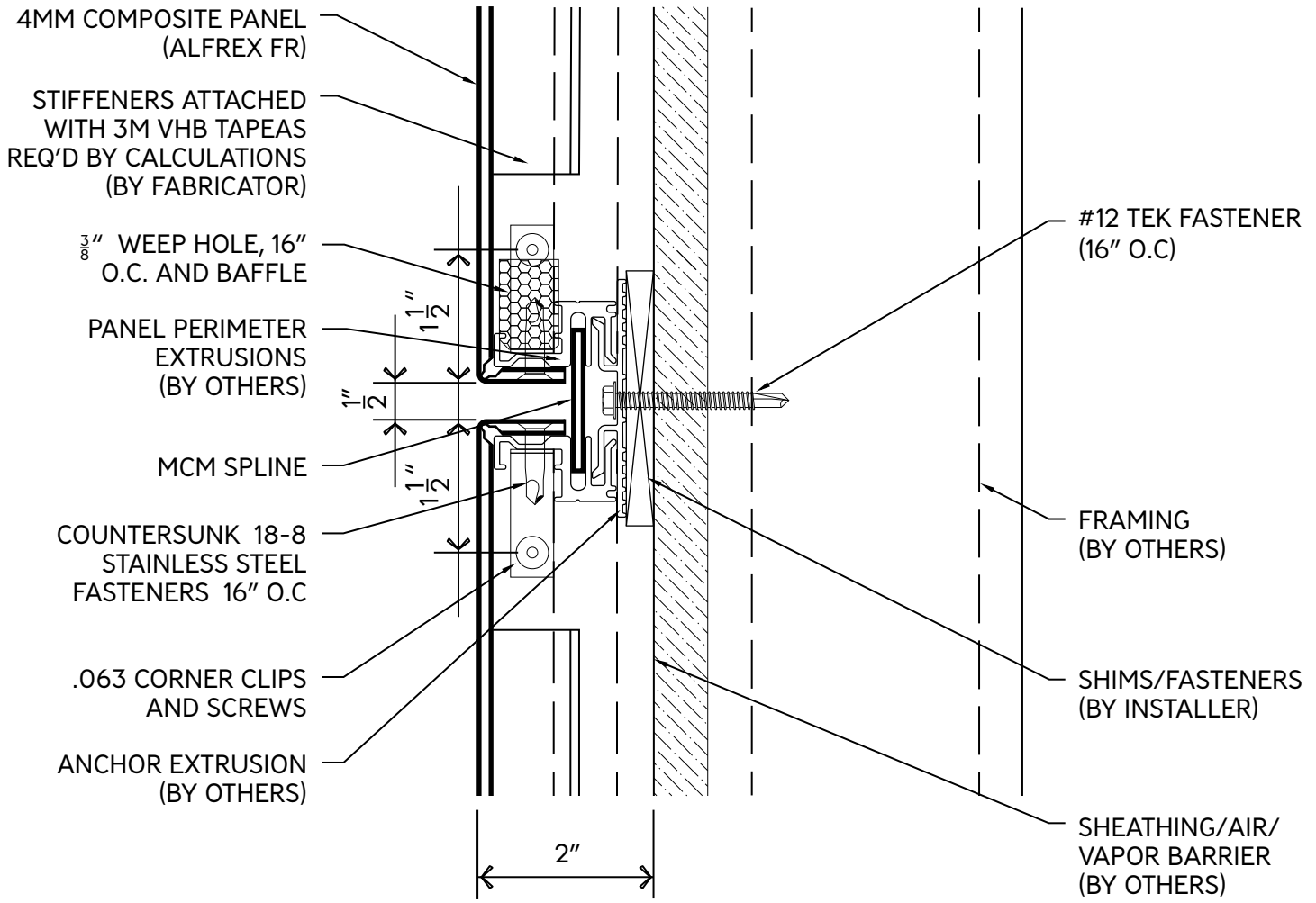


**alfrex**

943 Gainesville Hwy. Bldg 100-4000 Buford, GA 30518  
470.589.7449    alfrex@alfrexusa.com

**GENERIC RAINSCREEN  
SYSTEM APPLICATION**

PAGE  
**KEY**  
May 2021

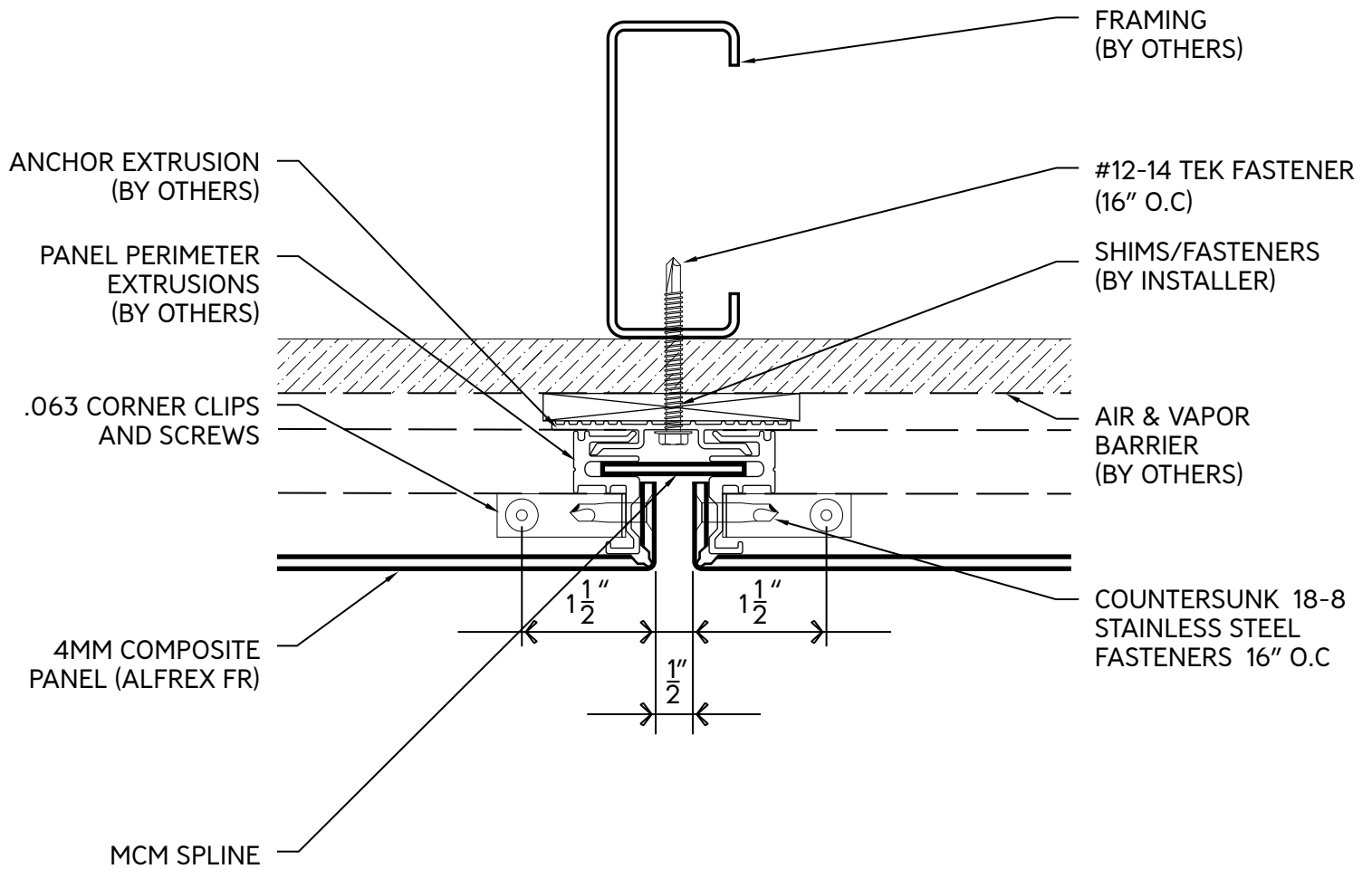


1  
AL HORIZONTAL JOINT



943 Gainesville Hwy. Bldg 100-4000 Buford, GA 30518  
470.589.7449    alfrex@alfrexusa.com

# GENERIC RAINSCREEN SYSTEM APPLICATION



2  
AL

VERTICAL JOINT

**alfrex**

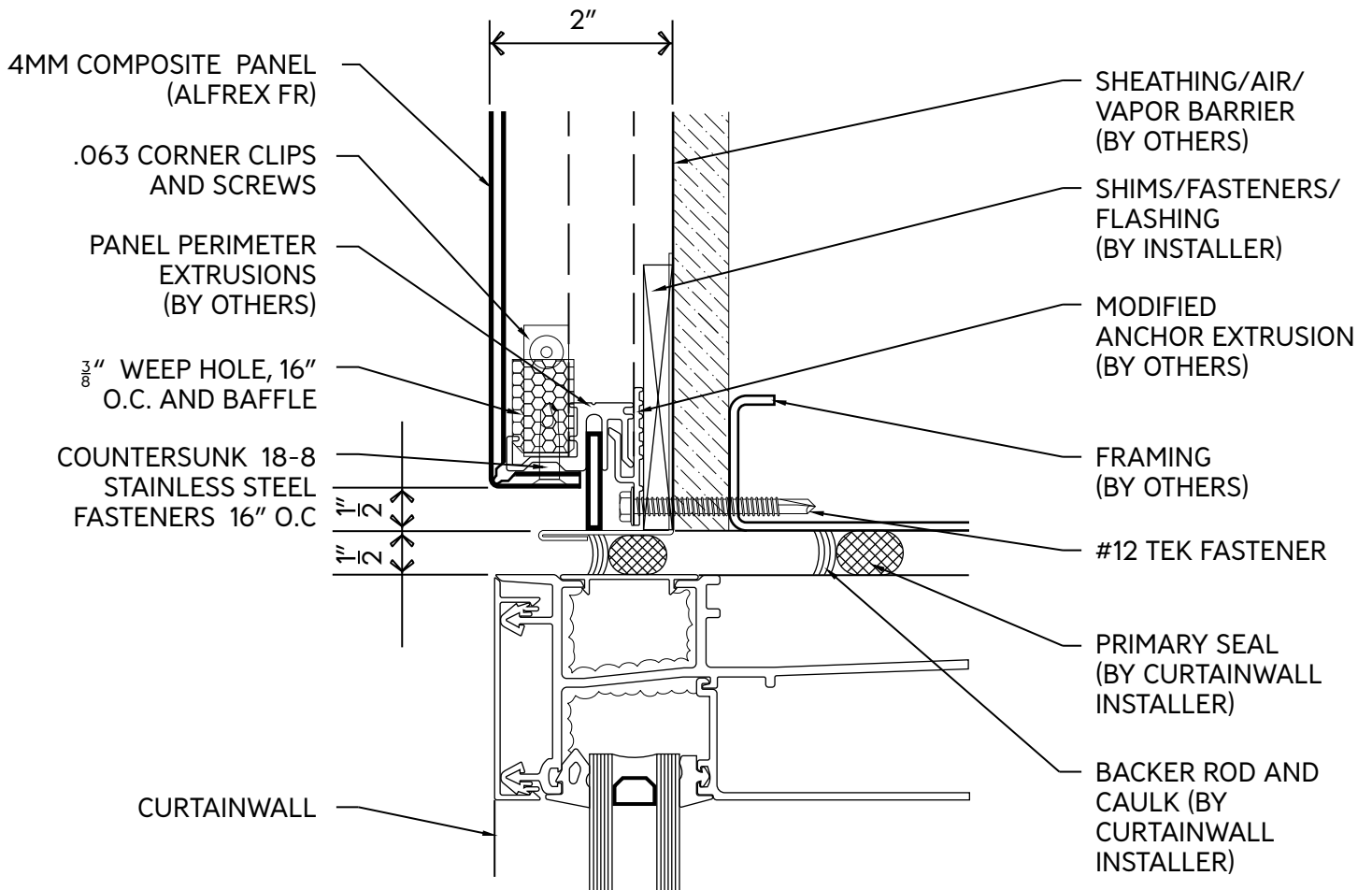
943 Gainesville Hwy. Bldg 100-4000 Buford, GA 30518  
470.589.7449    alfrex@alfrexusa.com

**GENERIC RAINSCREEN  
SYSTEM APPLICATION**

PAGE

**2**

May 2021



3  
AL

HEAD

**alfrex**

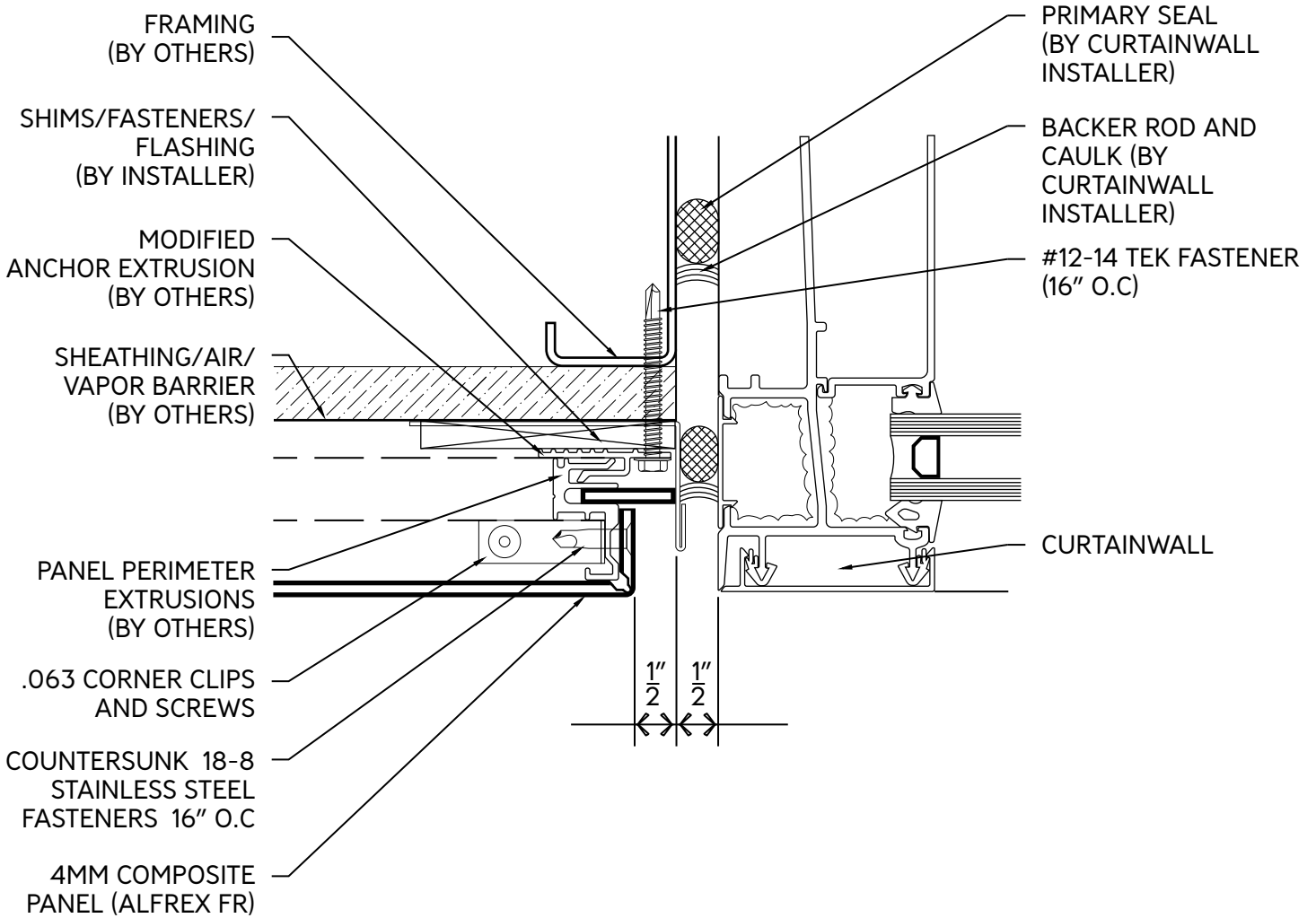
943 Gainesville Hwy. Bldg 100-4000 Buford, GA 30518  
470.589.7449    alfrex@alfrexusa.com

**GENERIC RAINSCREEN  
SYSTEM APPLICATION**

PAGE

**3**

May 2021



4  
AL

JAMB

**alfrex**

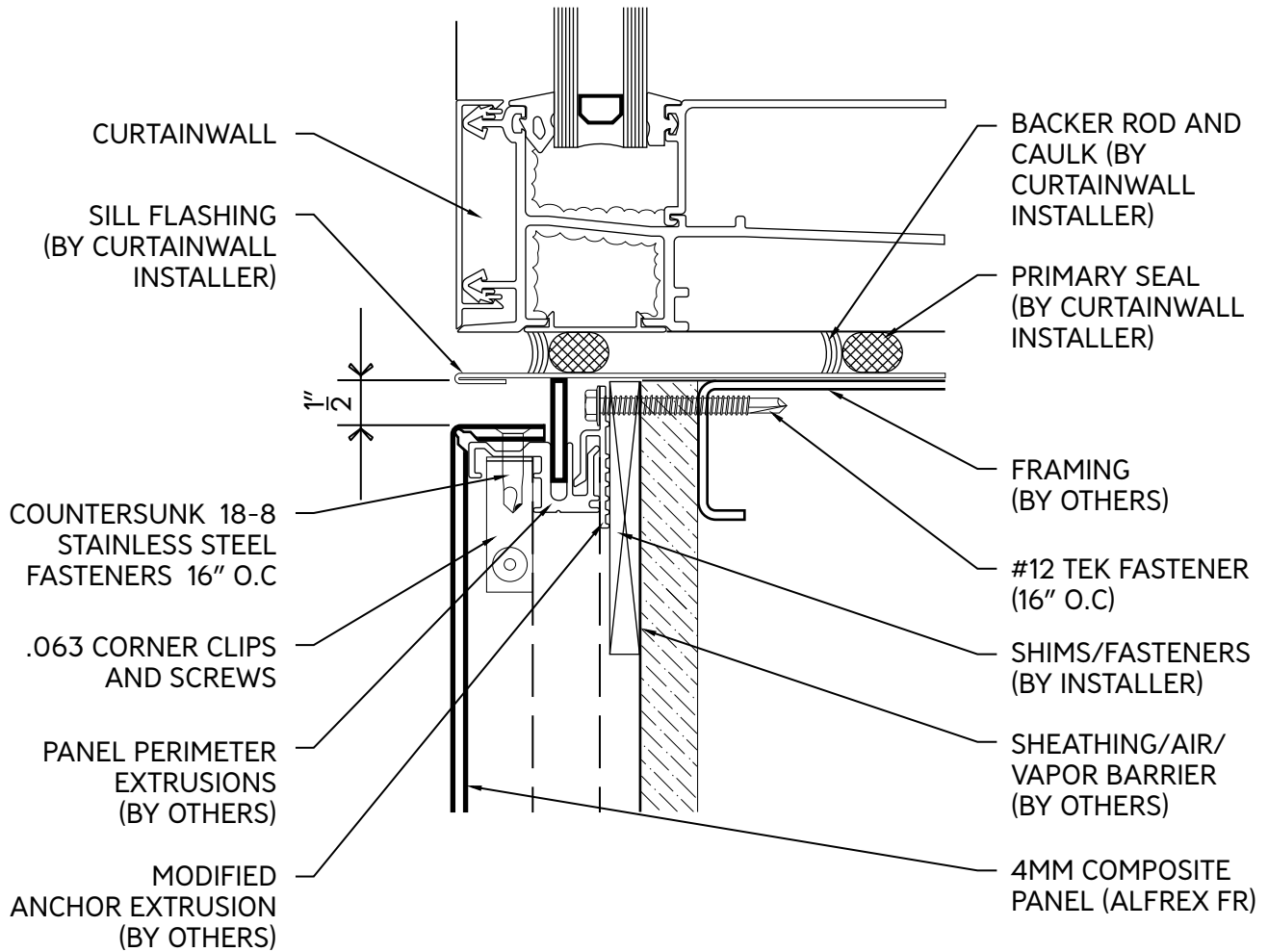
943 Gainesville Hwy. Bldg 100-4000 Buford, GA 30518  
470.589.7449    alfrex@alfrexusa.com

**GENERIC RAINSCREEN  
SYSTEM APPLICATION**

PAGE

**4**

May 2021



5  
AL

SILL

**alfrex**

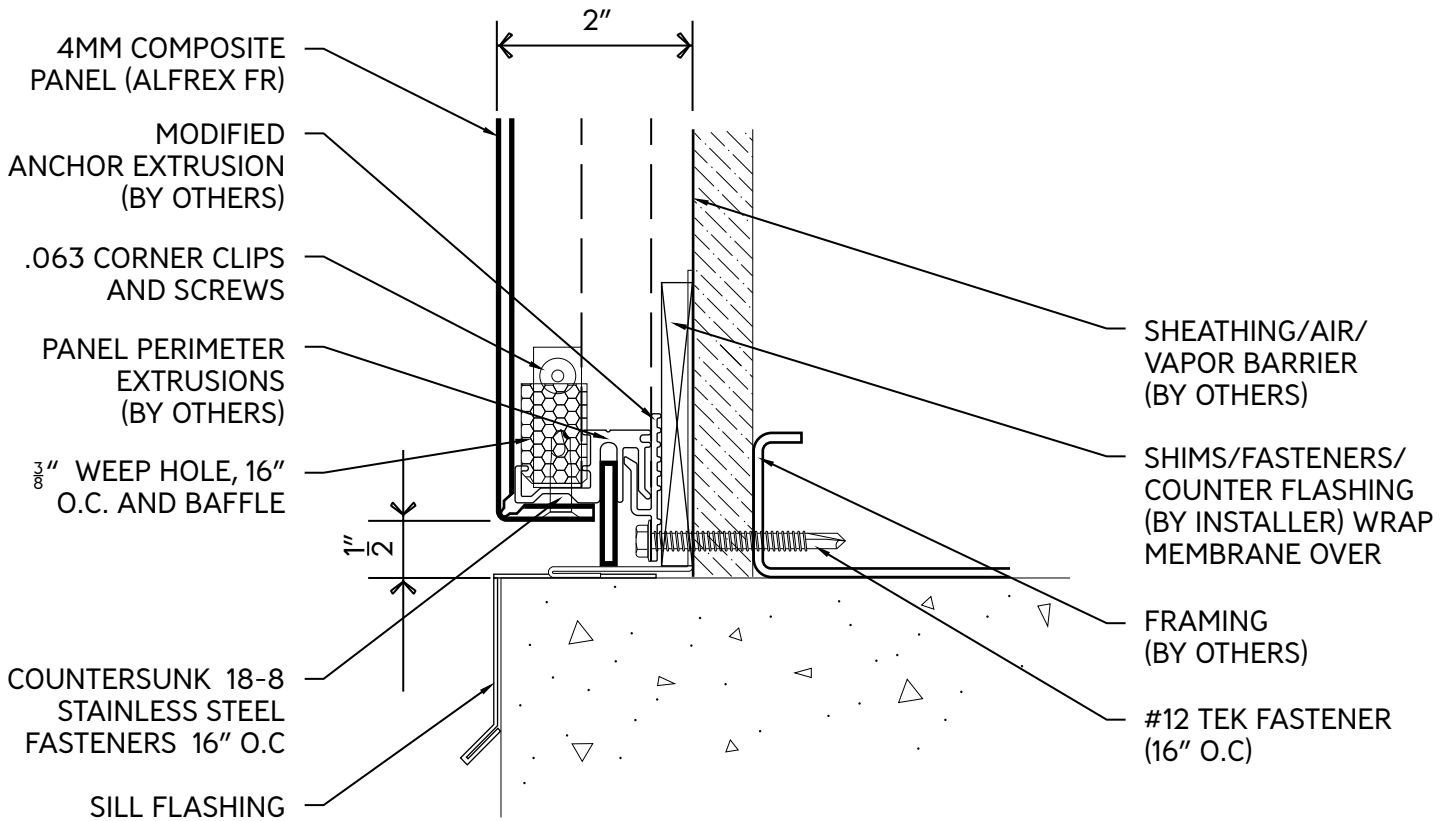
943 Gainesville Hwy. Bldg 100-4000 Buford, GA 30518  
470.589.7449    alfrex@alfrexusa.com

**GENERIC RAINSCREEN  
SYSTEM APPLICATION**

PAGE

**5**

May 2021



6  
AL

BASE CONDITION

**alfrex**

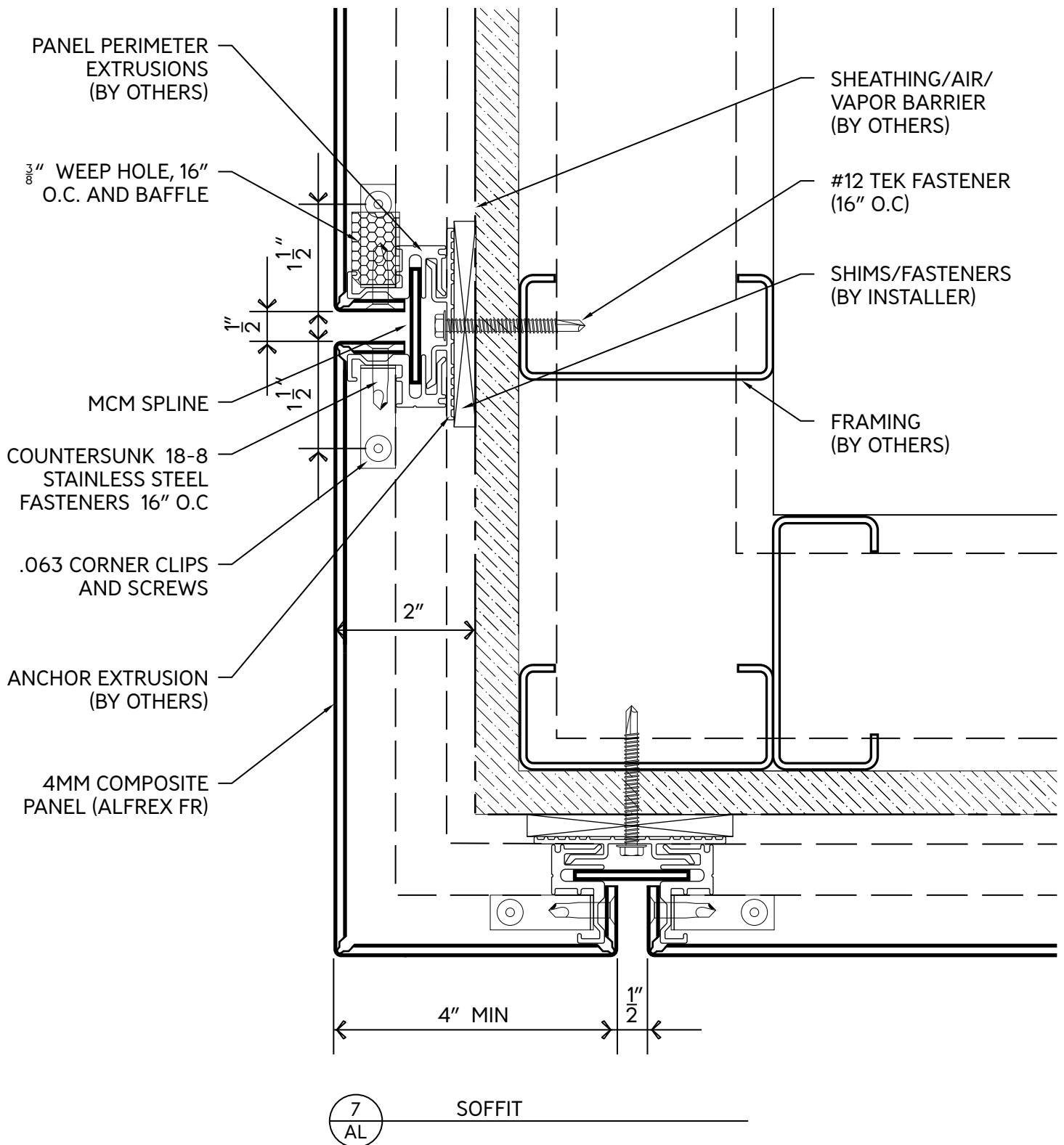
943 Gainesville Hwy. Bldg 100-4000 Buford, GA 30518  
470.589.7449    alfrex@alfrexusa.com

**GENERIC RAINSCREEN  
SYSTEM APPLICATION**

PAGE

**6**

May 2021



**alfrex**

943 Gainesville Hwy. Bldg 100-4000 Buford, GA 30518  
 470.589.7449    alfrex@alfrexusa.com

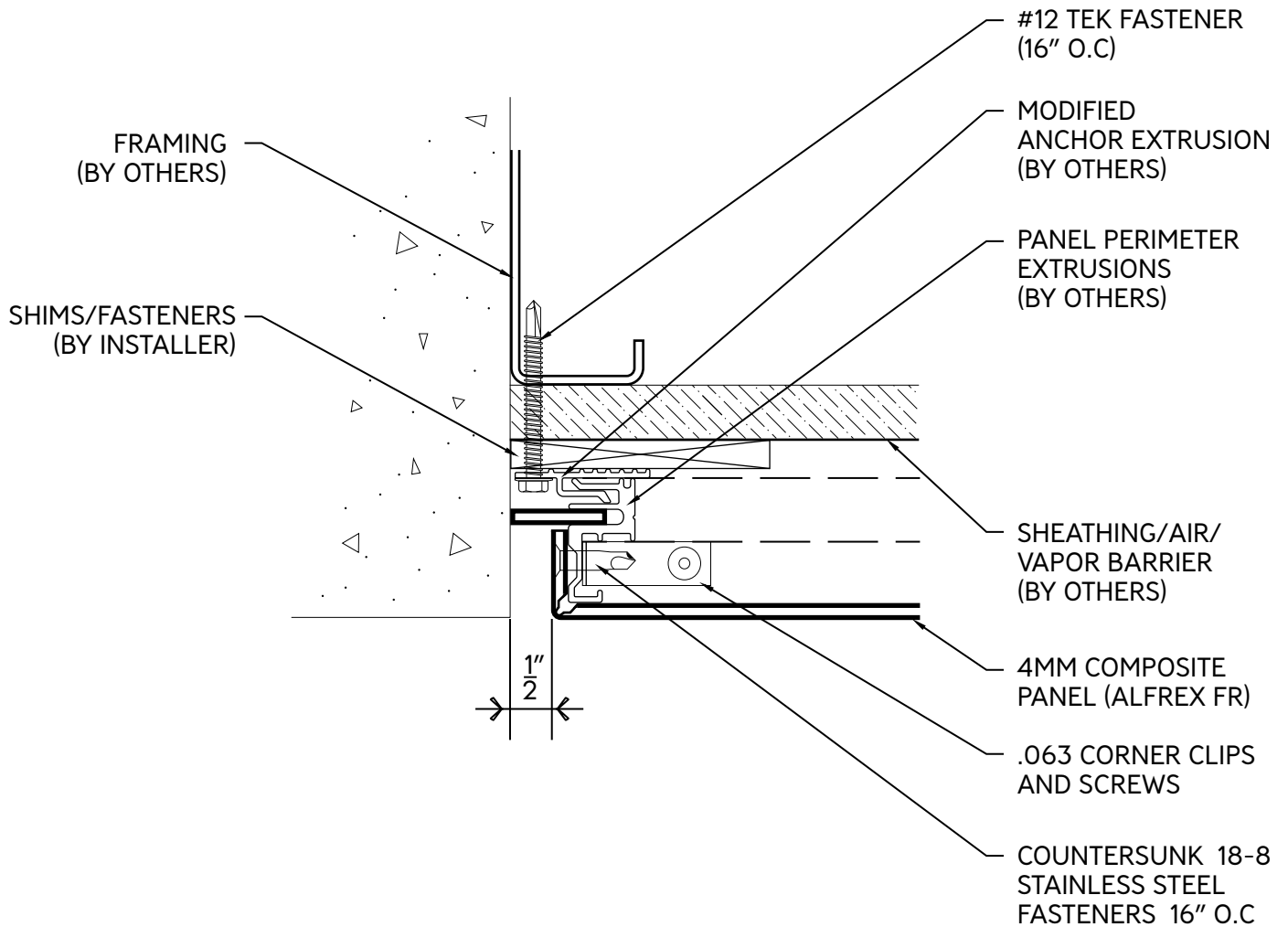
**GENERIC RAINSCREEN  
 SYSTEM APPLICATION**

PAGE

**7**

May 2021





8  
AL

TERMINATION

**alfrex**

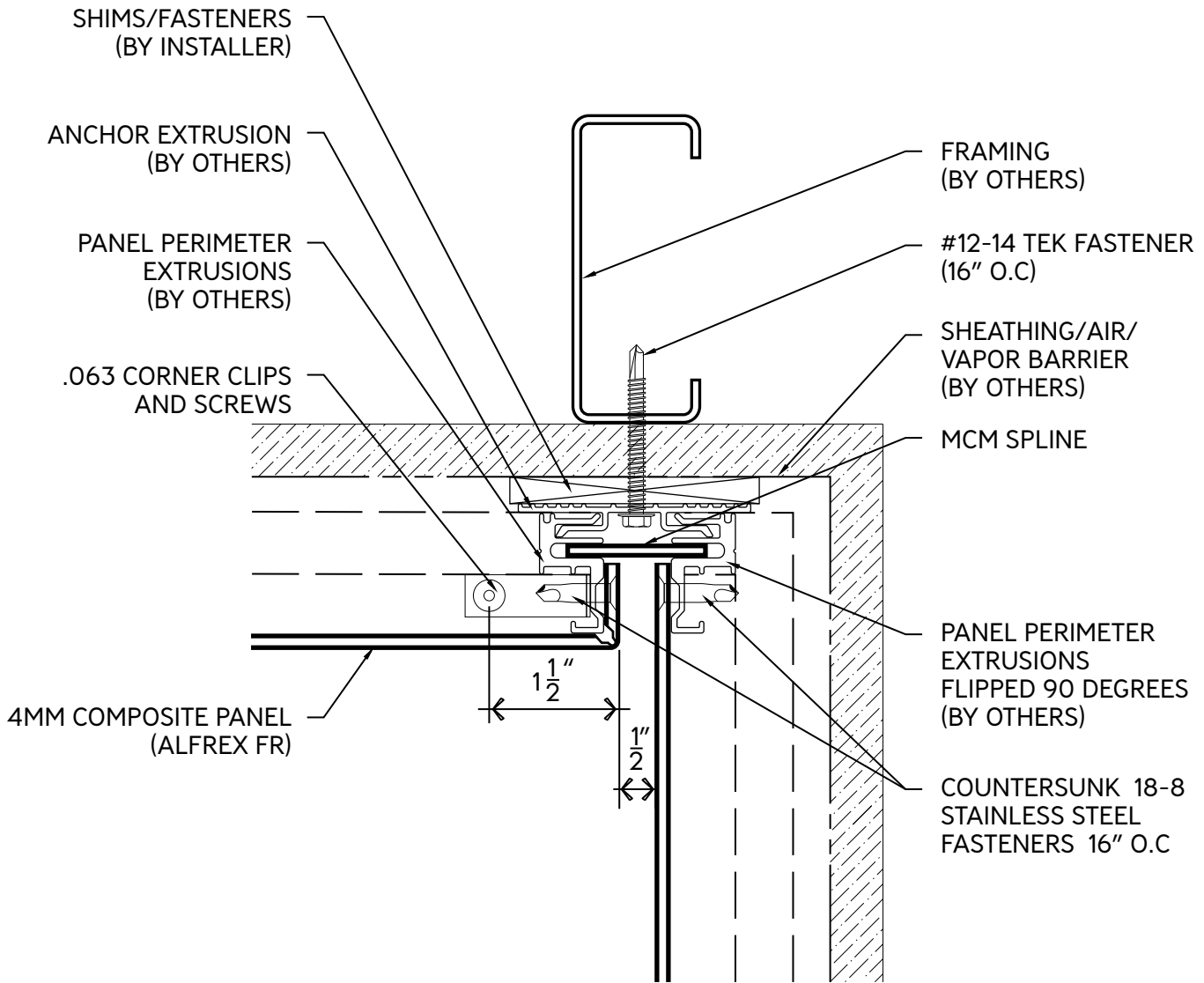
943 Gainesville Hwy. Bldg 100-4000 Buford, GA 30518  
470.589.7449    alfrex@alfrexusa.com

**ALFLEX RAINSCREEN  
PANEL APPLICATION**

PAGE

**8**

May 2021



9  
AL

INSIDE CORNER

**alfrex**

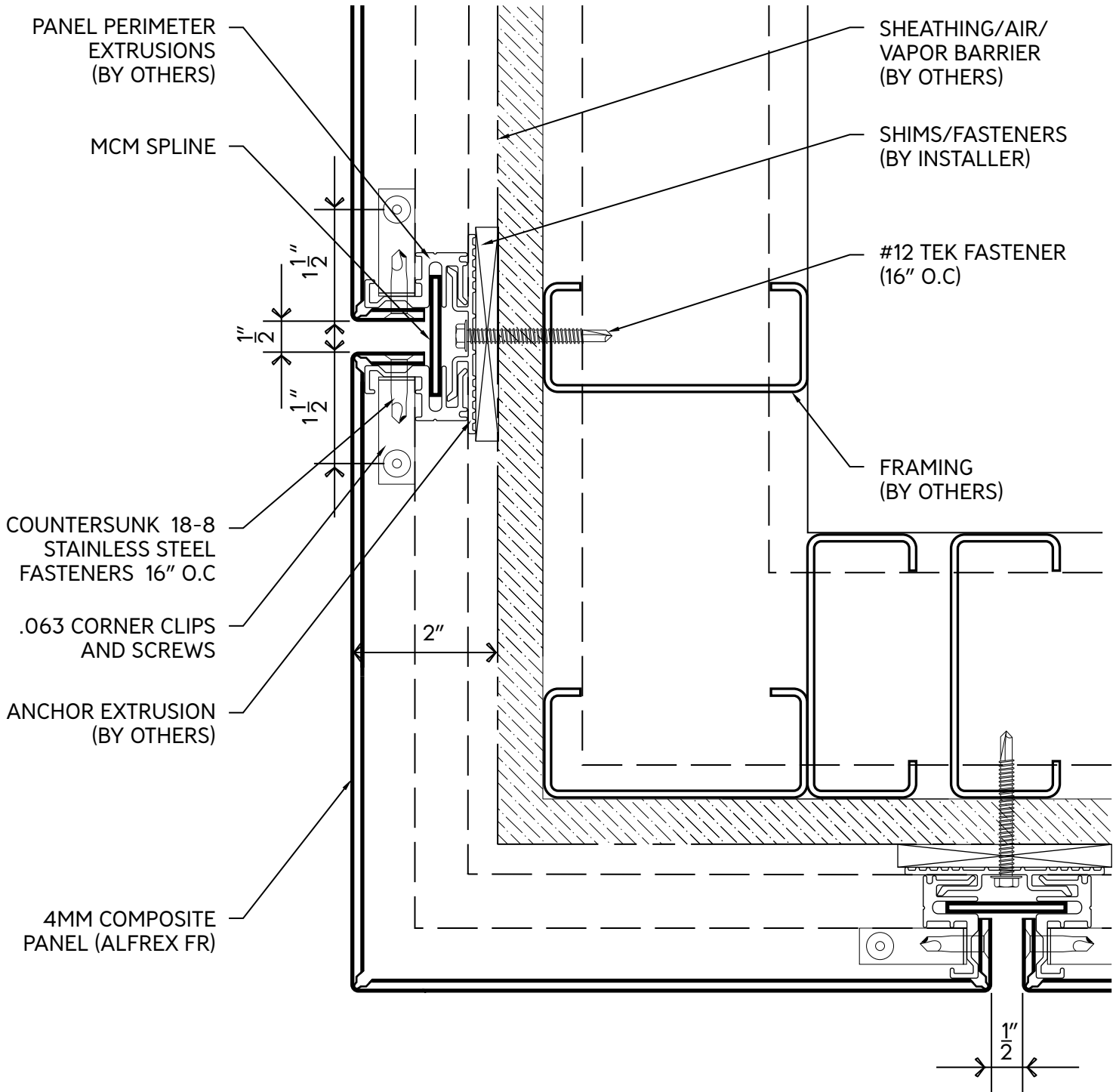
943 Gainesville Hwy. Bldg 100-4000 Buford, GA 30518  
470.589.7449    alfrex@alfrexusa.com

**ALFREX RAINSCREEN  
PANEL APPLICATION**

PAGE

9

May 2021



10  
AL

OUTSIDE CORNER

**alfrex**

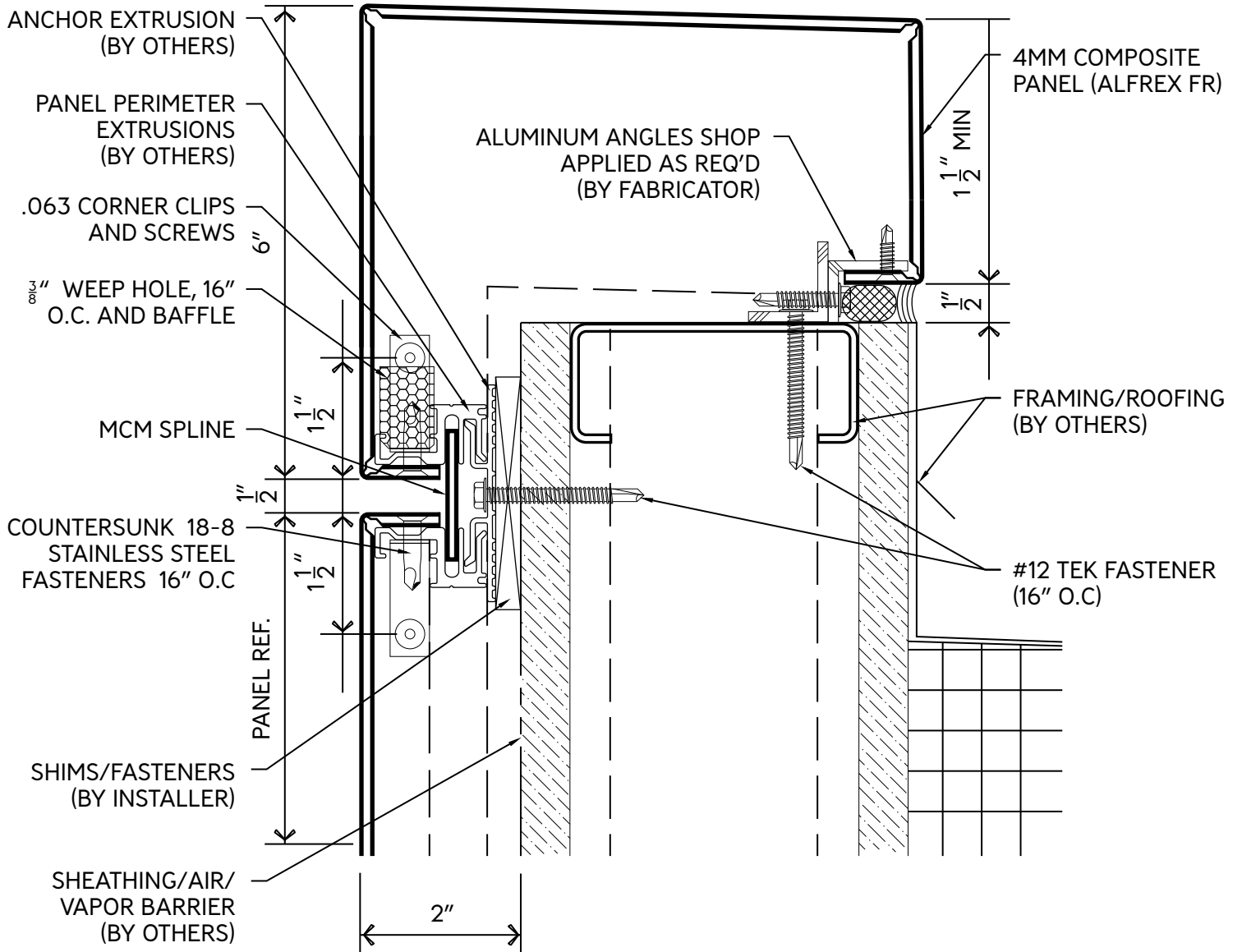
943 Gainesville Hwy. Bldg 100-4000 Buford, GA 30518  
470.589.7449    alfrex@alfrexusa.com

**GENERIC RAINSCREEN  
SYSTEM APPLICATION**

PAGE

**10**

May 2021



11  
AL

PARAPET OPTION 2

**alfrex**

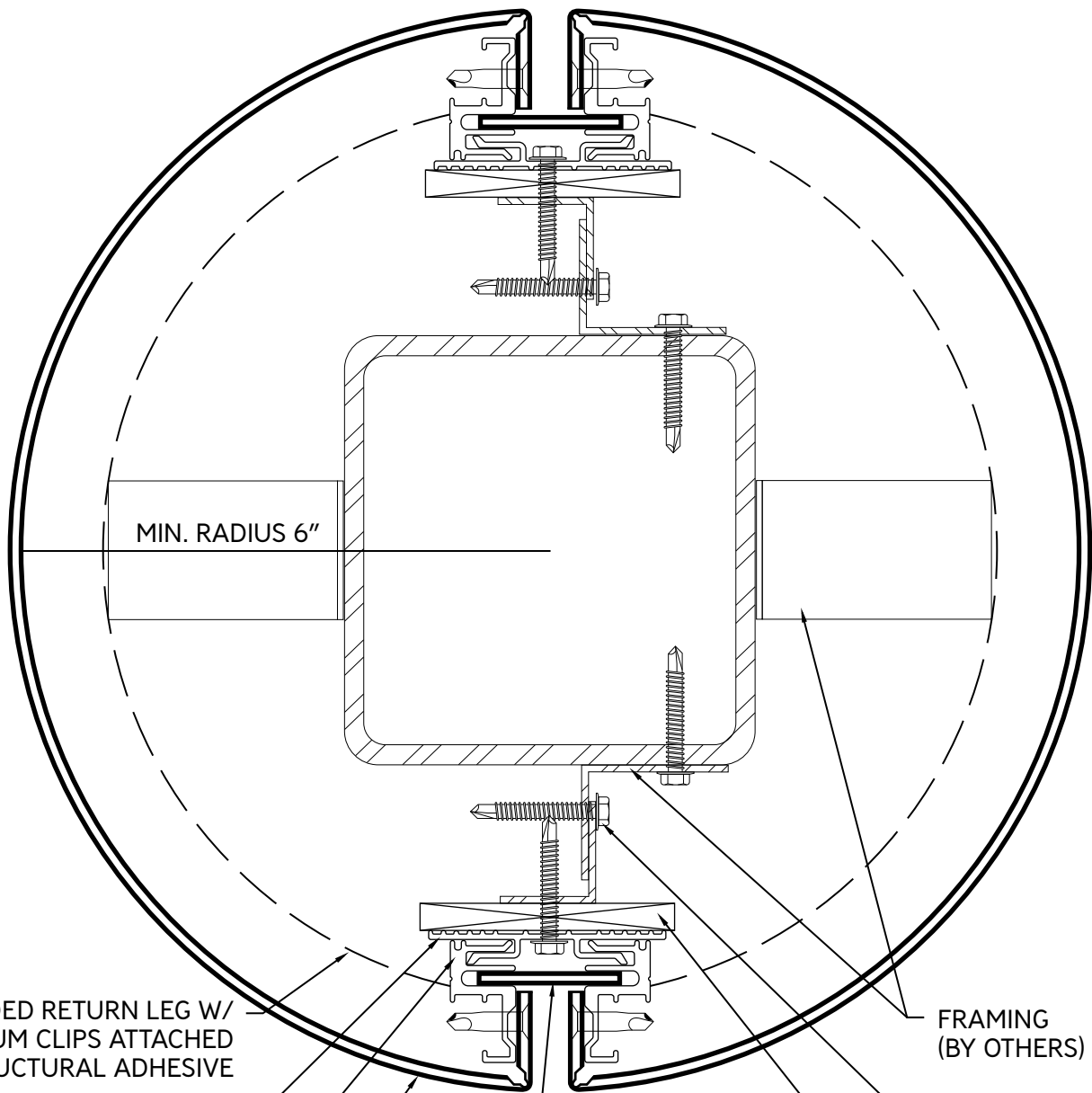
943 Gainesville Hwy. Bldg 100-4000 Buford, GA 30518  
470.589.7449    alfrex@alfrexusa.com

**GENERIC RAINSCREEN  
SYSTEM APPLICATION**

PAGE

**11**

May 2021



AIR WELDED RETURN LEG W/  
ALUMINUM CLIPS ATTACHED  
W/ STRUCTURAL ADHESIVE

ANCHOR EXTRUSION  
(BY OTHERS)

PANEL PERIMETER  
EXTRUSIONS  
(BY OTHERS)

4MM COMPOSITE PANEL  
(ALFLEX FR)

MCM SPLINE

FRAMING  
(BY OTHERS)

#12-14 TEK FASTENER  
(16" O.C)

SHIMS/FASTENERS  
(BY INSTALLER)

12  
AL

ROUND COLUMN COVER

**alfrex**

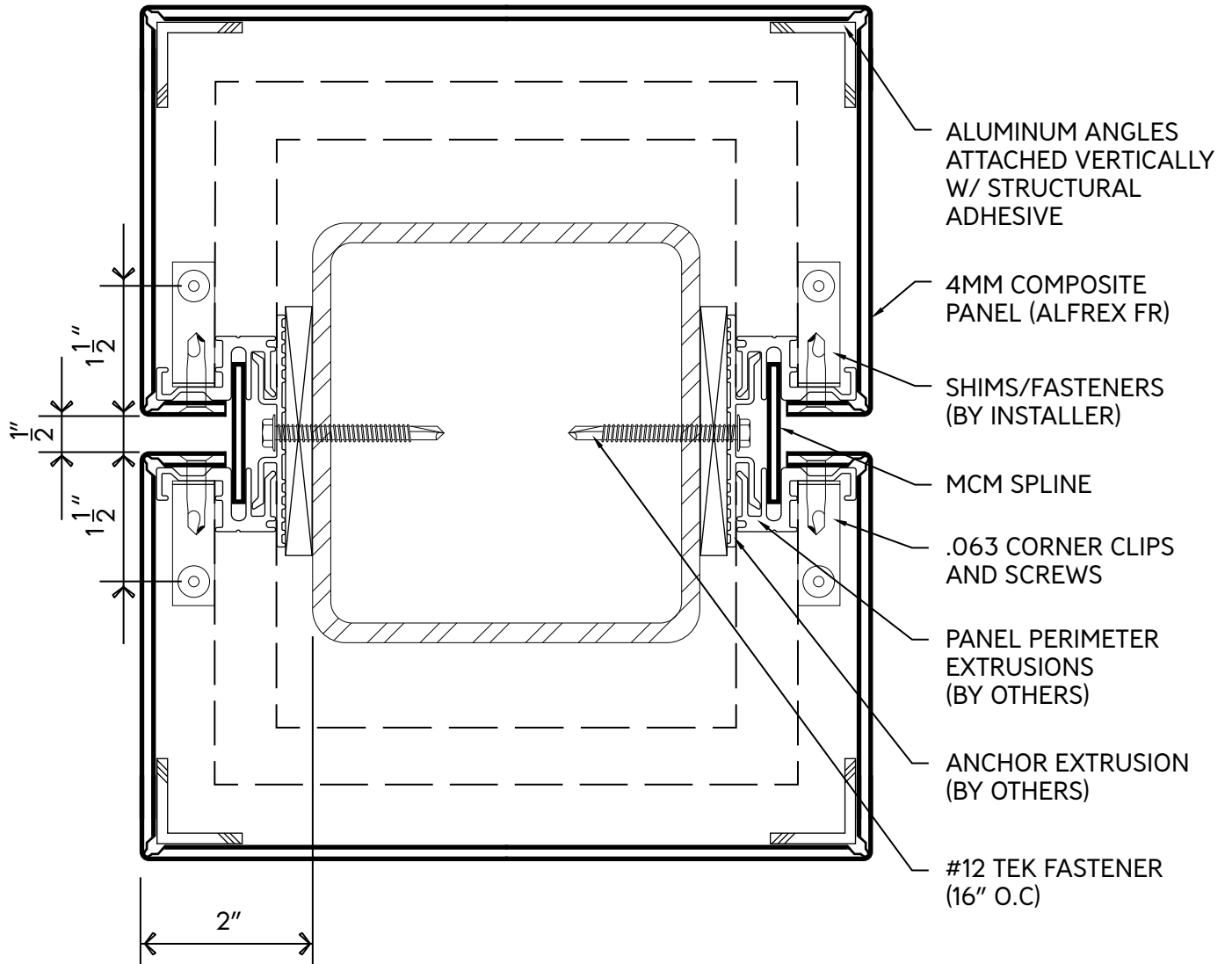
943 Gainesville Hwy. Bldg 100-4000 Buford, GA 30518  
470.589.7449    alfrex@alfrexusa.com

**GENERIC RAINSCREEN  
SYSTEM APPLICATION**

PAGE

**12**

May 2021



13  
AL

SQUARE COLUMN COVER

**alfrex**

943 Gainesville Hwy. Bldg 100-4000 Buford, GA 30518  
470.589.7449    alflex@alfrexusa.com

**GENERIC RAINSCREEN  
SYSTEM APPLICATION**

PAGE

**13**

May 2021