

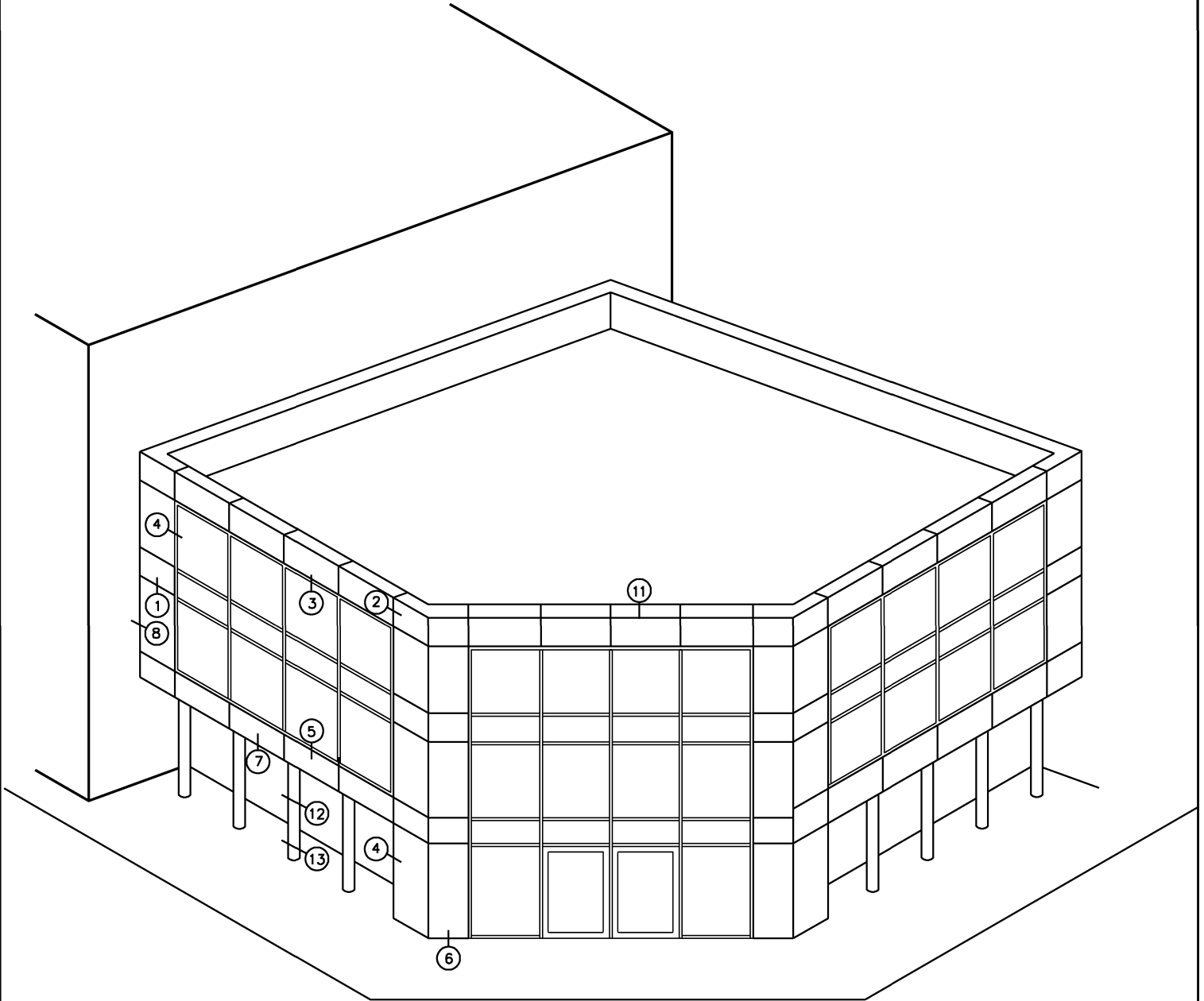
ARCH/FABRICATOR NOTES:

MAX PANEL SIZE IS 60" IN EITHER DIRECTION.

METALLIC GRAIN/PANEL ORIENTATION SHOULD BE CONSISTENT TO MAINTAIN CONSISTENT COLOR.

DETAILS SHOWN ARE IN A RAINSCREEN APPLICATION ON EXTERIOR GWB SHEATHING WITH COMMERCIAL TYVEK (OR SIMILAR). OTHER SUBSTRATES ARE ACCEPTABLE SUCH AS HAT CHANNELS WITH RIGID INSULATION OUTBOARD OF SHEATHING.

PANEL RIVETS CAN BE COLOR MATCHED.



alfrex

943 Gainesville Hwy. Bldg 100-4000
Buford, GA 30518

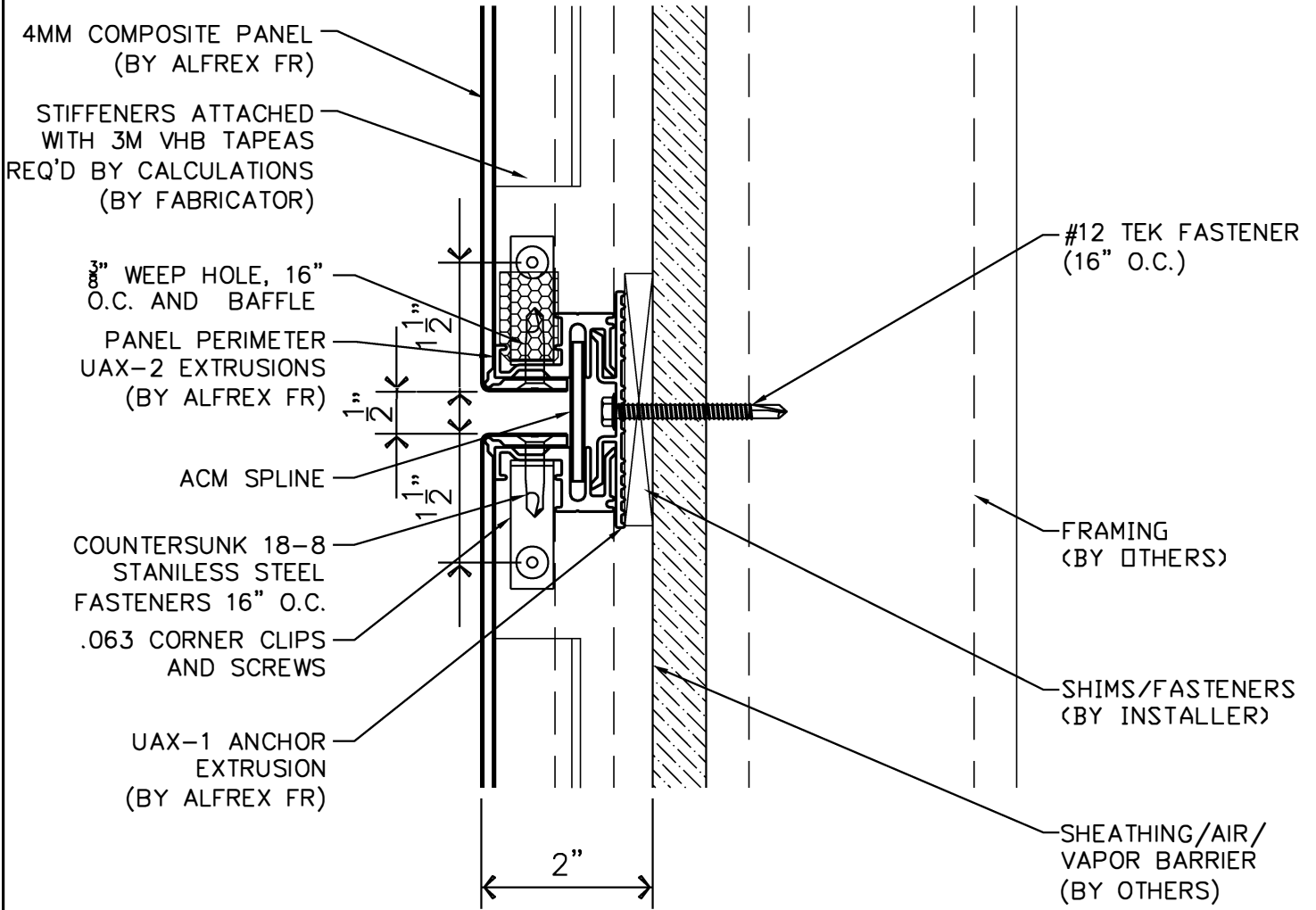
Office +1 470 589 7449 alfrex@alfrexusa.com

**ALFREX RAINSCREEN
PANEL APPLICATION**

PAGE

KEY

February 2019



1 HORIZONTAL JOINT
AL SCALE: 6" = 1'-0"

alfrex

943 Gainesville Hwy. Bldg 100-4000
Buford, GA 30518

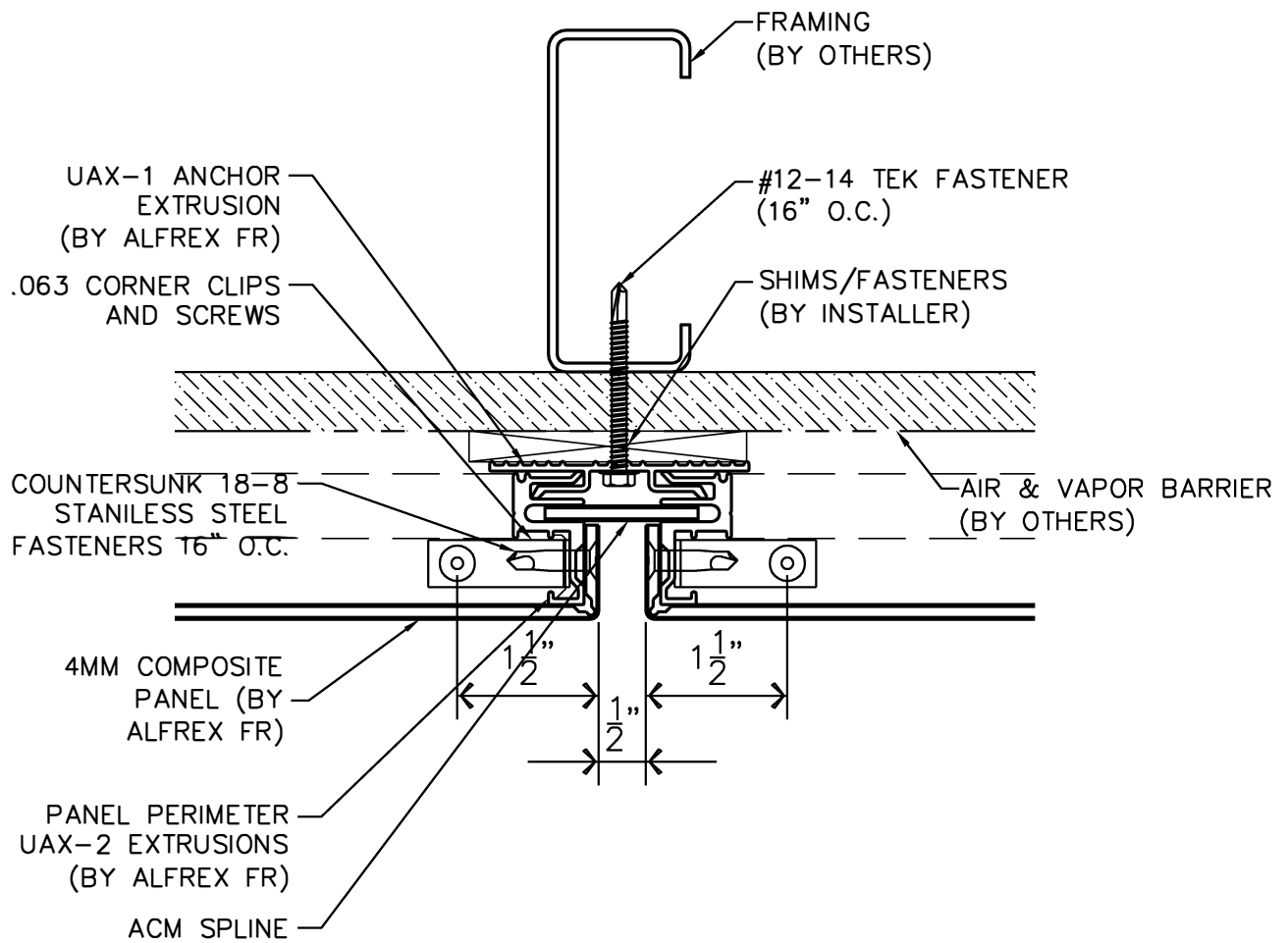
Office +1 470 589 7449 alfrex@alfrexusa.com

ALFLEX RAINSCREEN
PANEL APPLICATION

PAGE

1

February 2019



2 VERTICAL JOINT
 AL SCALE: 6" = 1'-0"

alfrex

943 Gainesville Hwy. Bldg 100-4000
 Buford, GA 30518

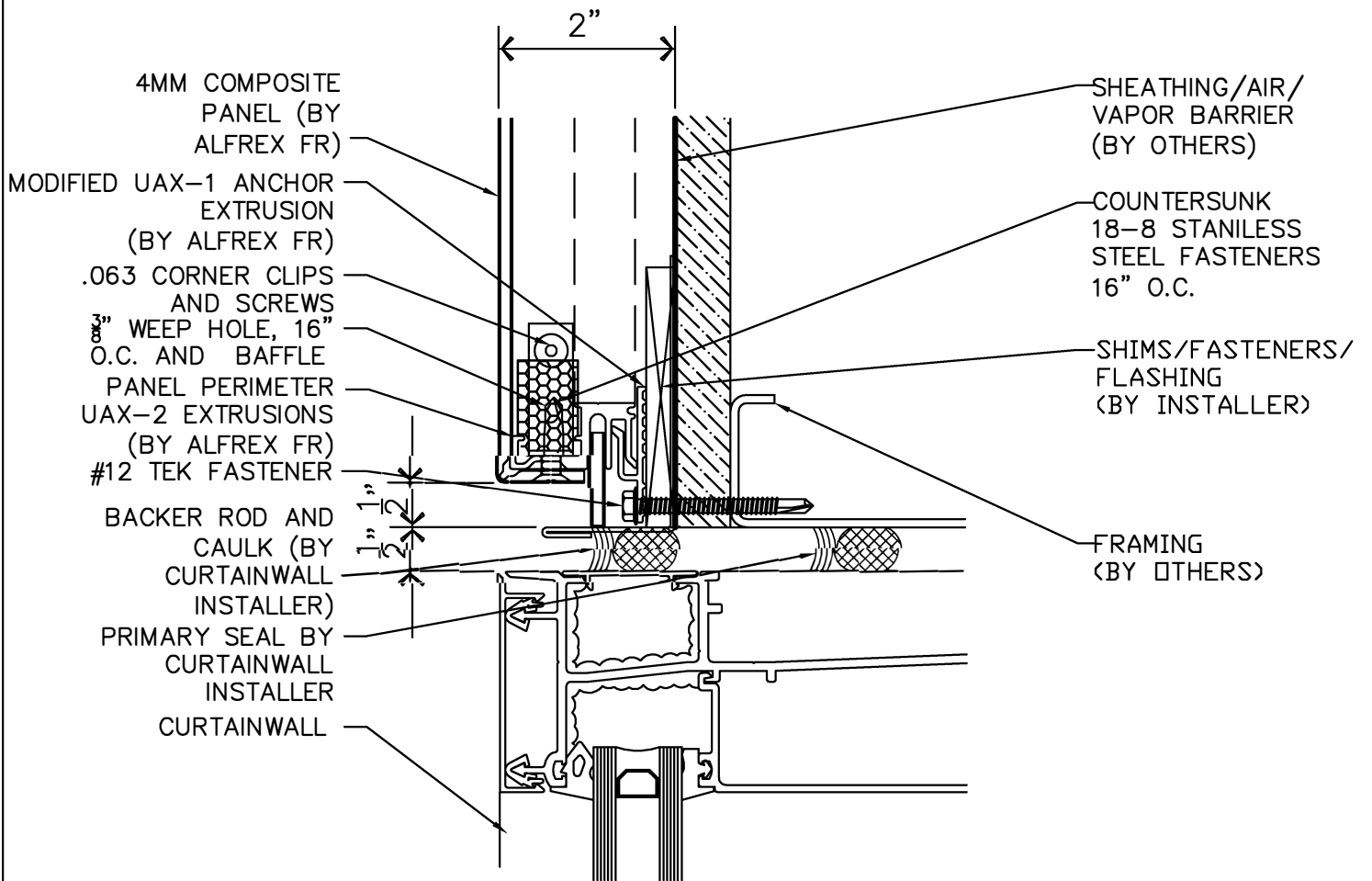
Office +1 470 589 7449 alfrex@alfrexusa.com

ALFREX RAINSCREEN
 PANEL APPLICATION

PAGE

2

February 2019



3 HEAD
 AL SCALE: 6" = 1'-0"

alfrex

943 Gainesville Hwy. Bldg 100-4000
 Buford, GA 30518

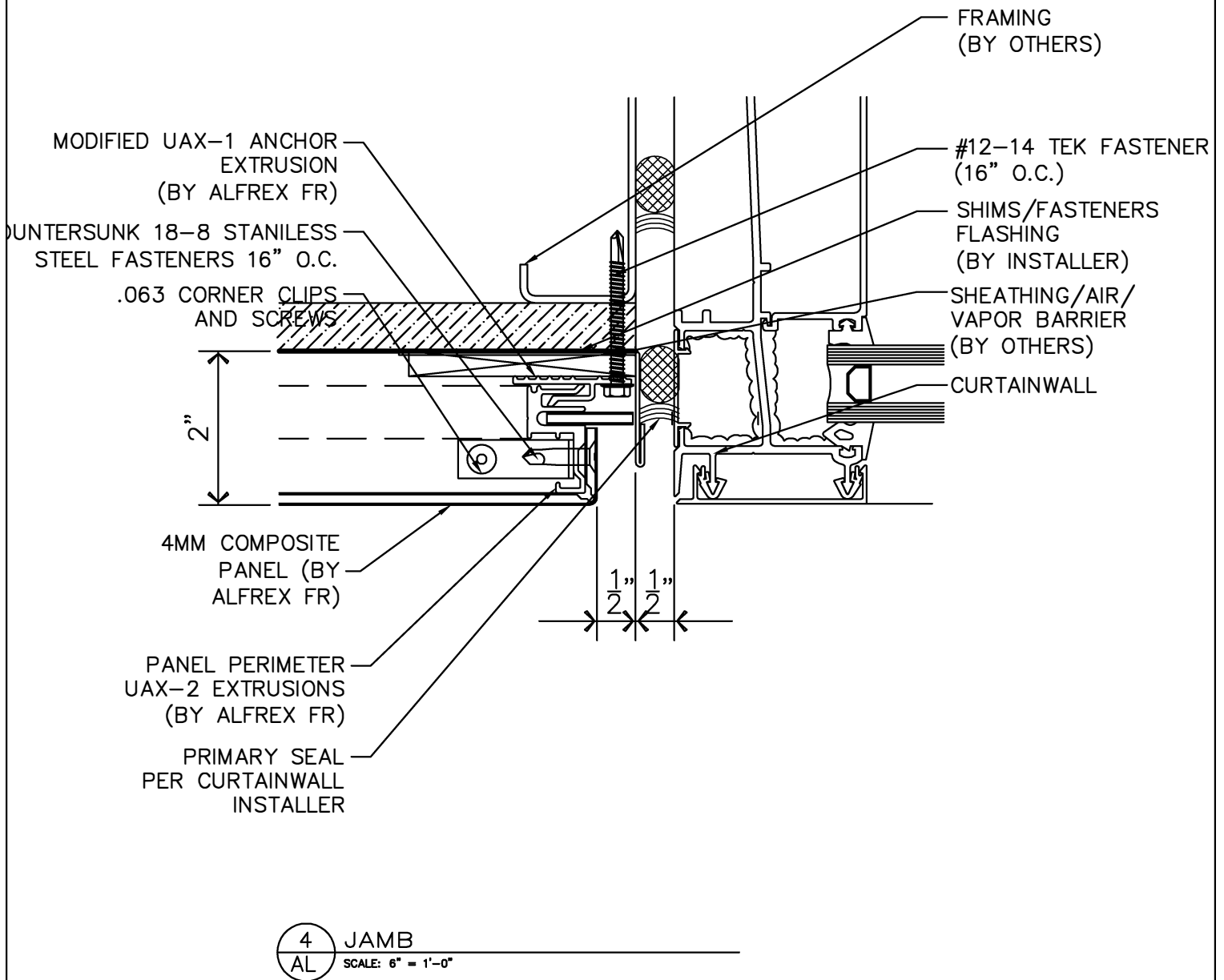
Office +1 470 589 7449 alfrex@alfrexusa.com

ALFREX RAINSCREEN
 PANEL APPLICATION

PAGE

3

February 2019



alfrex

943 Gainesville Hwy. Bldg 100-4000
Buford, GA 30518

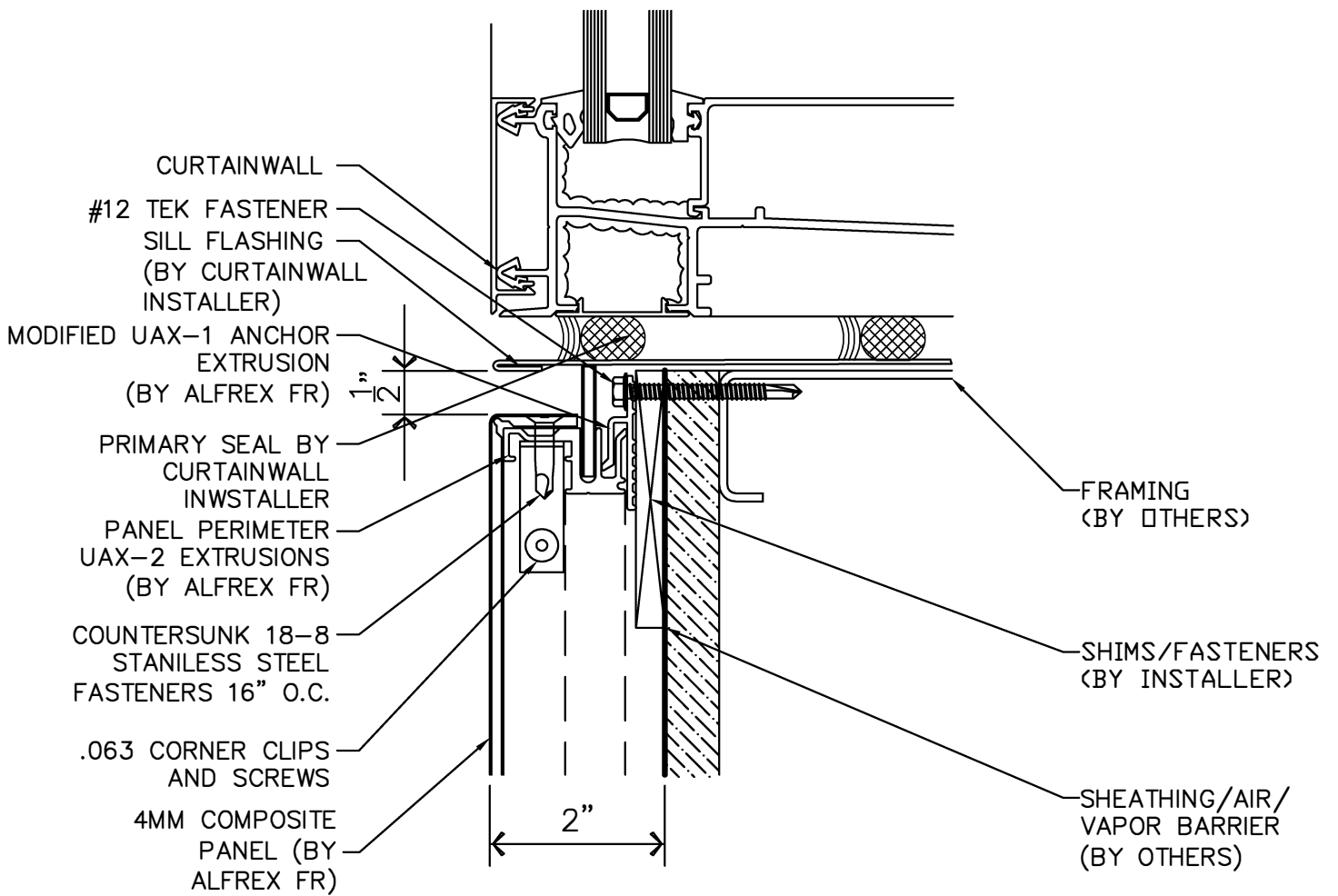
Office +1 470 589 7449 alfrex@alfrexusa.com

ALFLEX RAINSCREEN
PANEL APPLICATION

PAGE

4

February 2019



5 SILL
 AL SCALE: 6" = 1'-0"

alfrex

943 Gainesville Hwy. Bldg 100-4000
 Buford, GA 30518

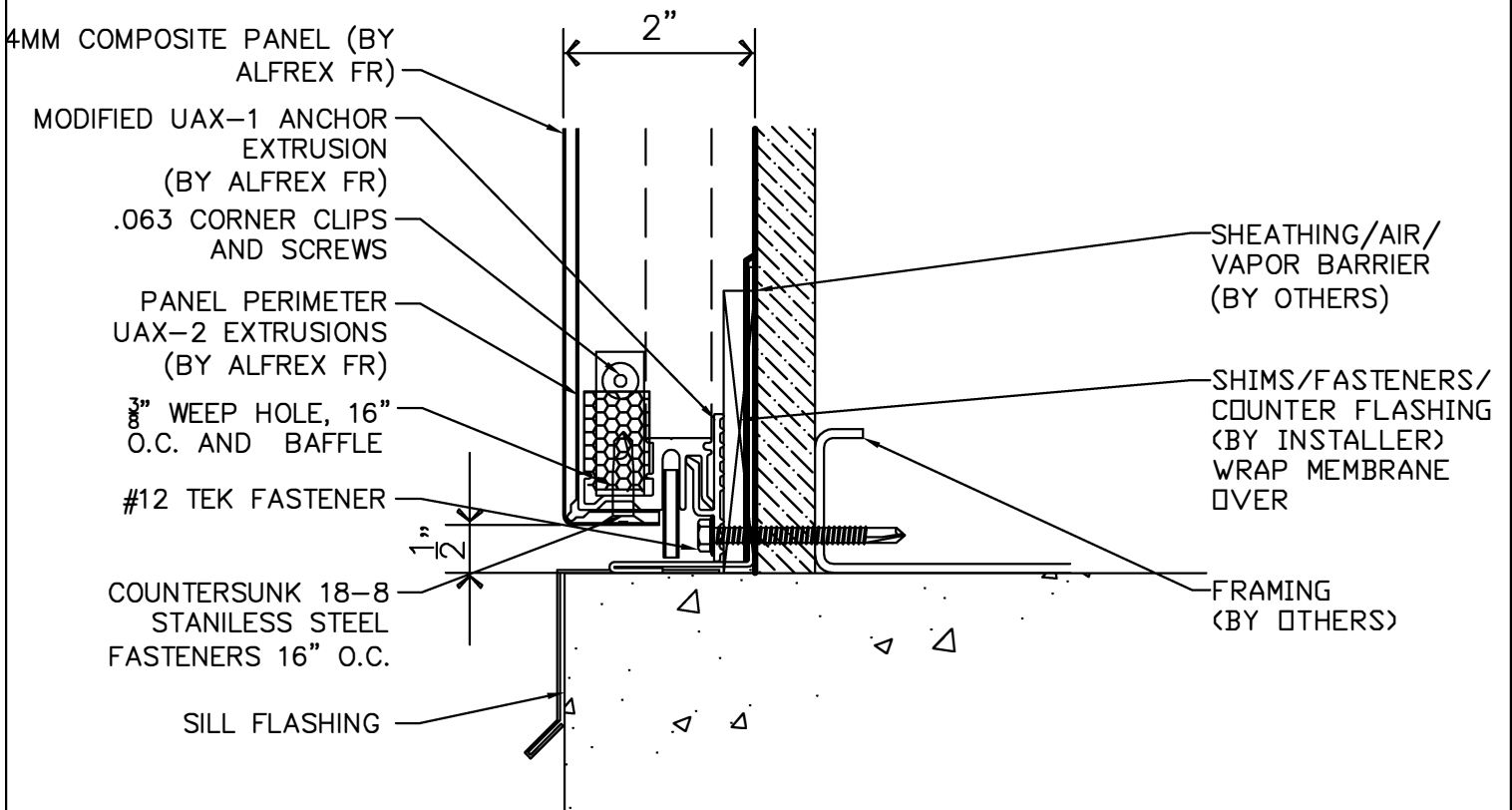
Office +1 470 589 7449 alfrex@alfrexusa.com

ALFLEX RAINSCREEN
 PANEL APPLICATION

PAGE

5

February 2019



6 BASE CONDITION
 AL SCALE: 6" = 1'-0"

alfrex

943 Gainesville Hwy. Bldg 100-4000
 Buford, GA 30518

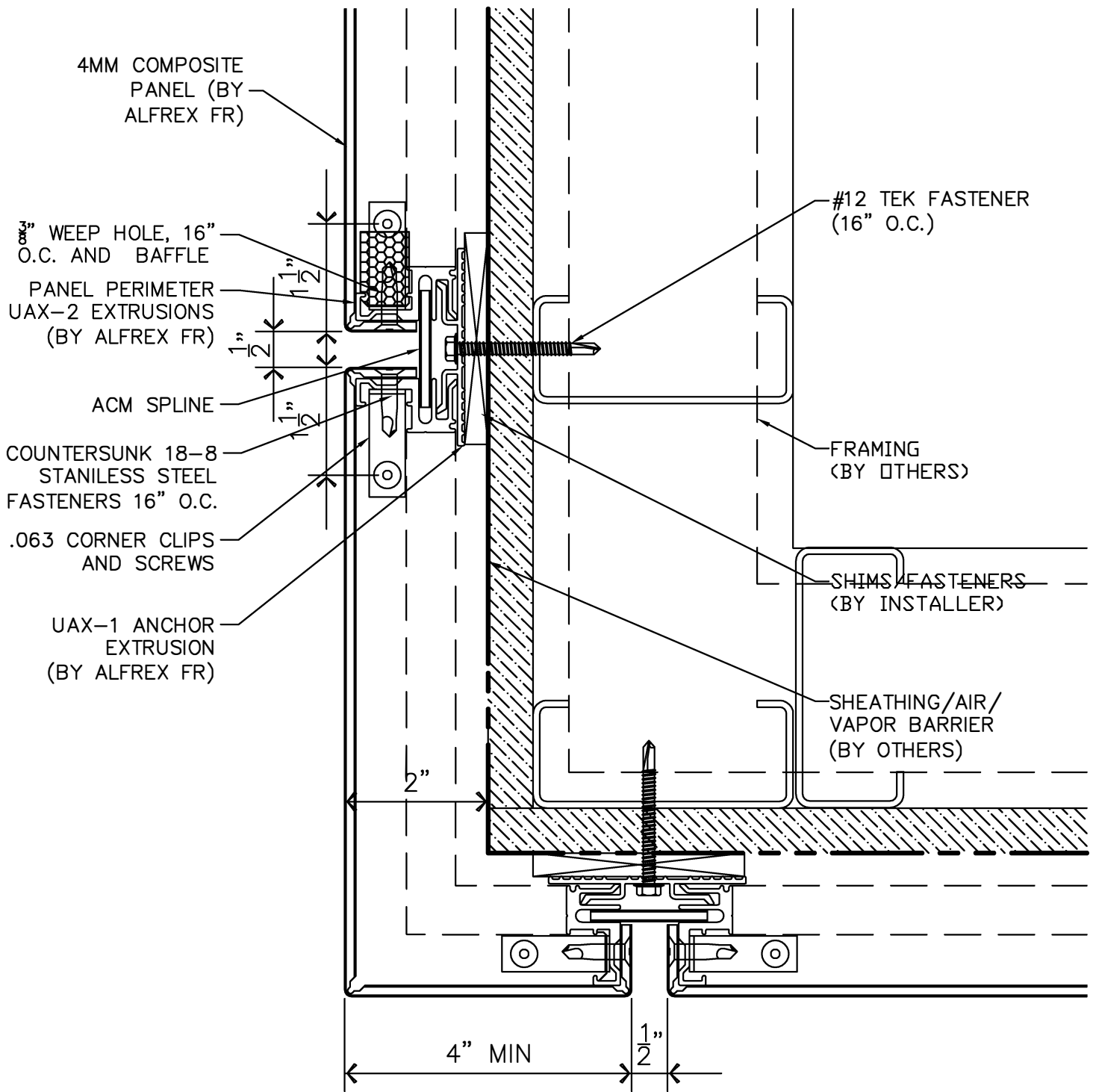
Office +1 470 589 7449 alfrex@alfrexusa.com

ALFLEX RAINSCREEN
 PANEL APPLICATION

PAGE

6

February 2019



7 SOFFIT
AL SCALE: 6" = 1'-0"

alfrex

943 Gainesville Hwy. Bldg 100-4000
Buford, GA 30518

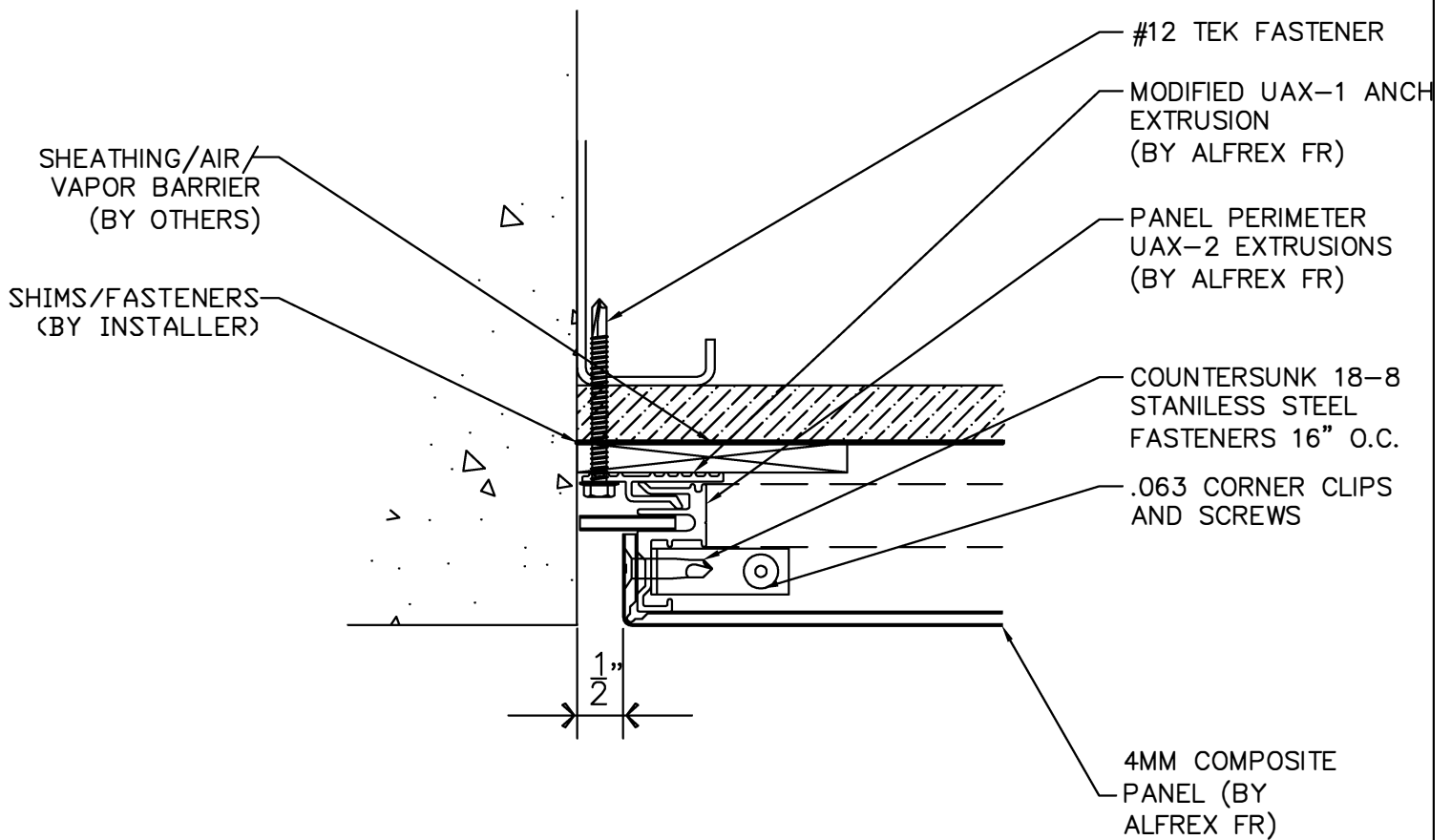
Office +1 470 589 7449 alfrex@alfrexusa.com

**ALFREX RAINSCREEN
PANEL APPLICATION**

PAGE

7

February 2019



8 TERMINATION
 AL SCALE: 6" = 1'-0"

alfrex

943 Gainesville Hwy. Bldg 100-4000
 Buford, GA 30518

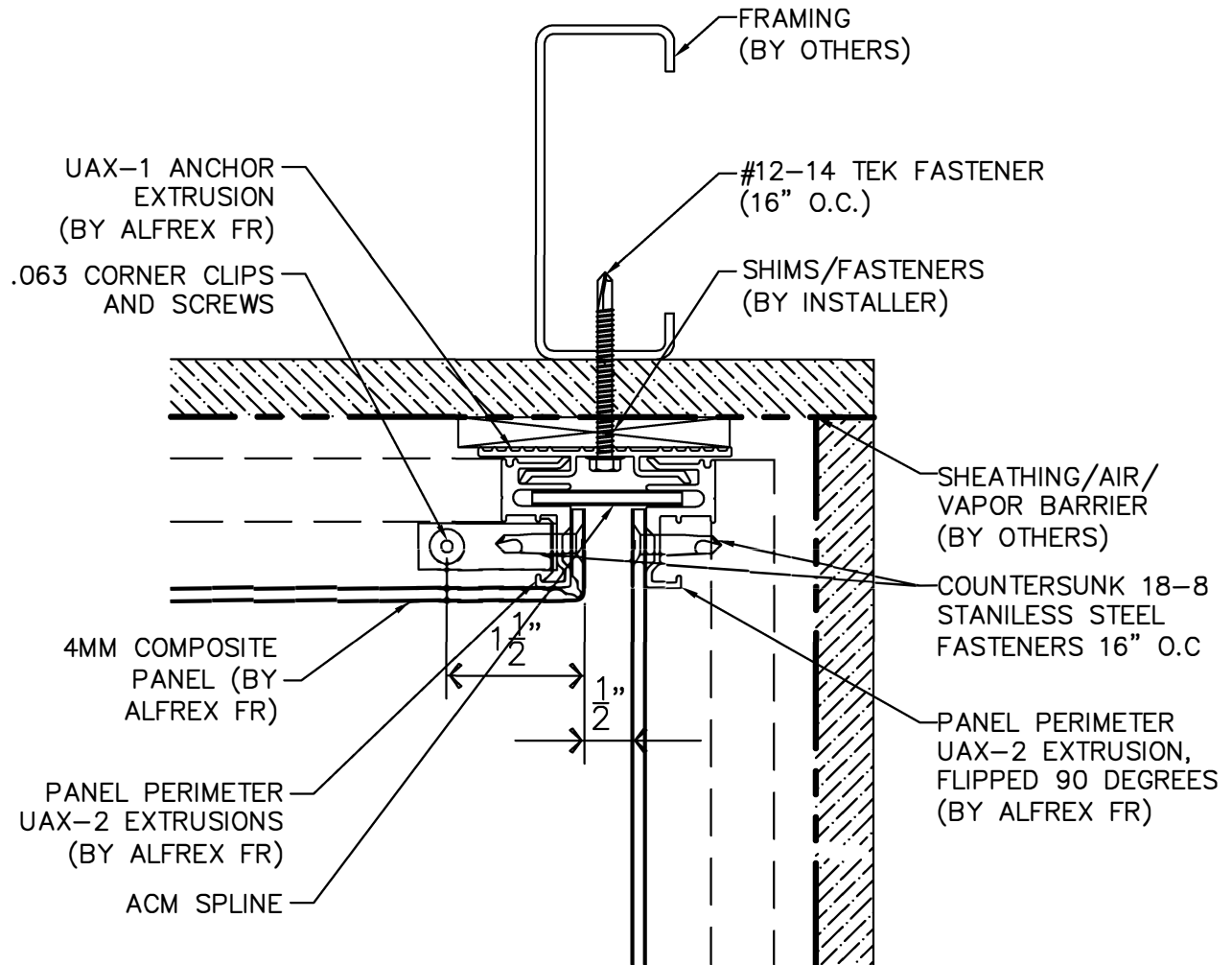
Office +1 470 589 7449 alfrex@alfrexusa.com

ALFREX RAINSCREEN
 PANEL APPLICATION

PAGE

8

February 2019



9 INSIDE CORNER
 AL SCALE: 6" = 1'-0"

alfrex

943 Gainesville Hwy. Bldg 100-4000
 Buford, GA 30518

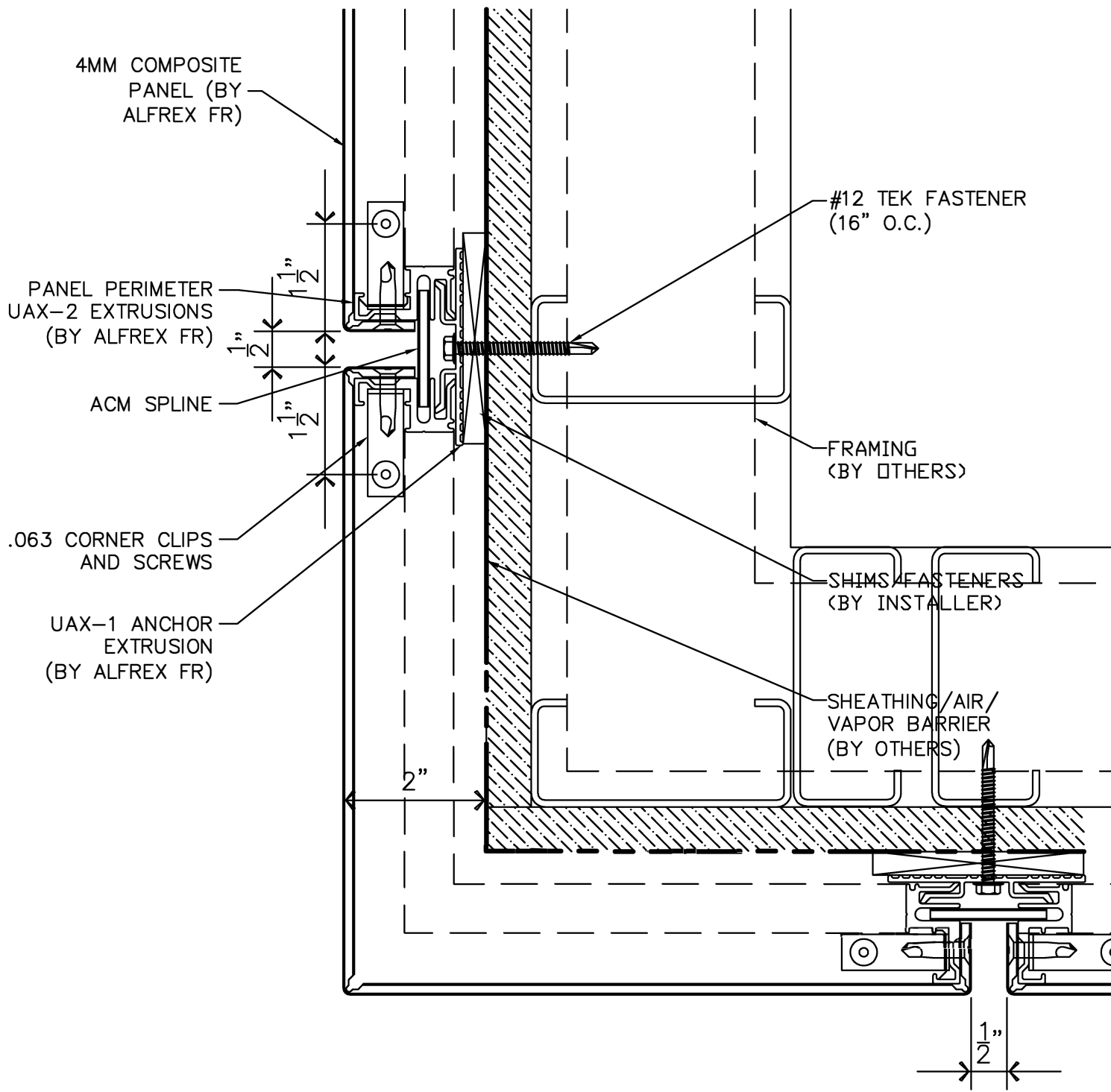
Office +1 470 589 7449 alfrex@alfrexusa.com

ALFREX RAINSCREEN
 PANEL APPLICATION

PAGE

9

February 2019



10 OUTSIDE CORNER
 AL SCALE: 6" = 1'-0"

alfrex

943 Gainesville Hwy. Bldg 100-4000
 Buford, GA 30518

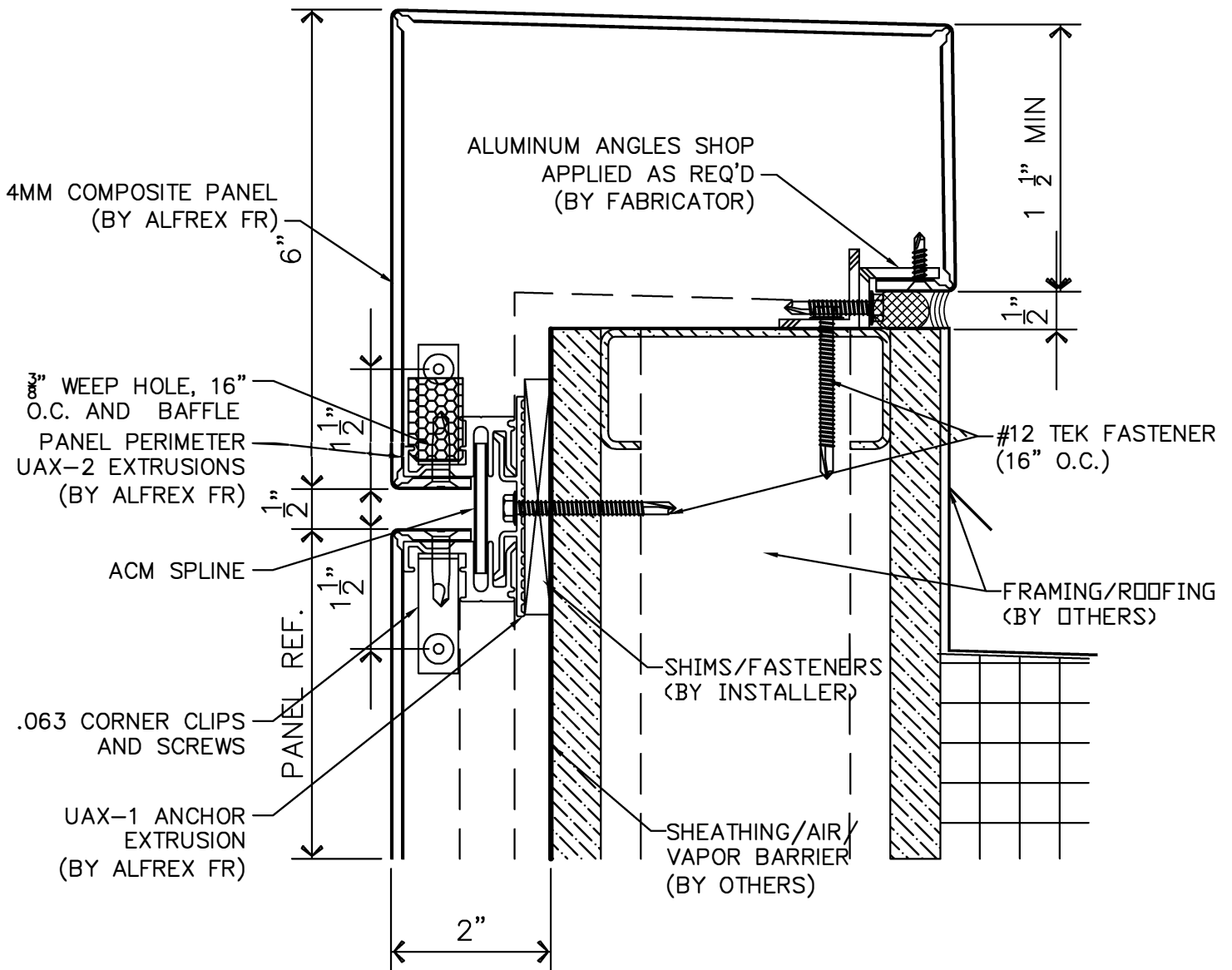
Office +1 470 589 7449 alfrex@alfrexusa.com

ALFREX RAINSCREEN
 PANEL APPLICATION

PAGE

10

February 2019



11 PARAPET OPTION 2
 AL SCALE: 6" = 1'-0"

alfrex

943 Gainesville Hwy. Bldg 100-4000
 Buford, GA 30518

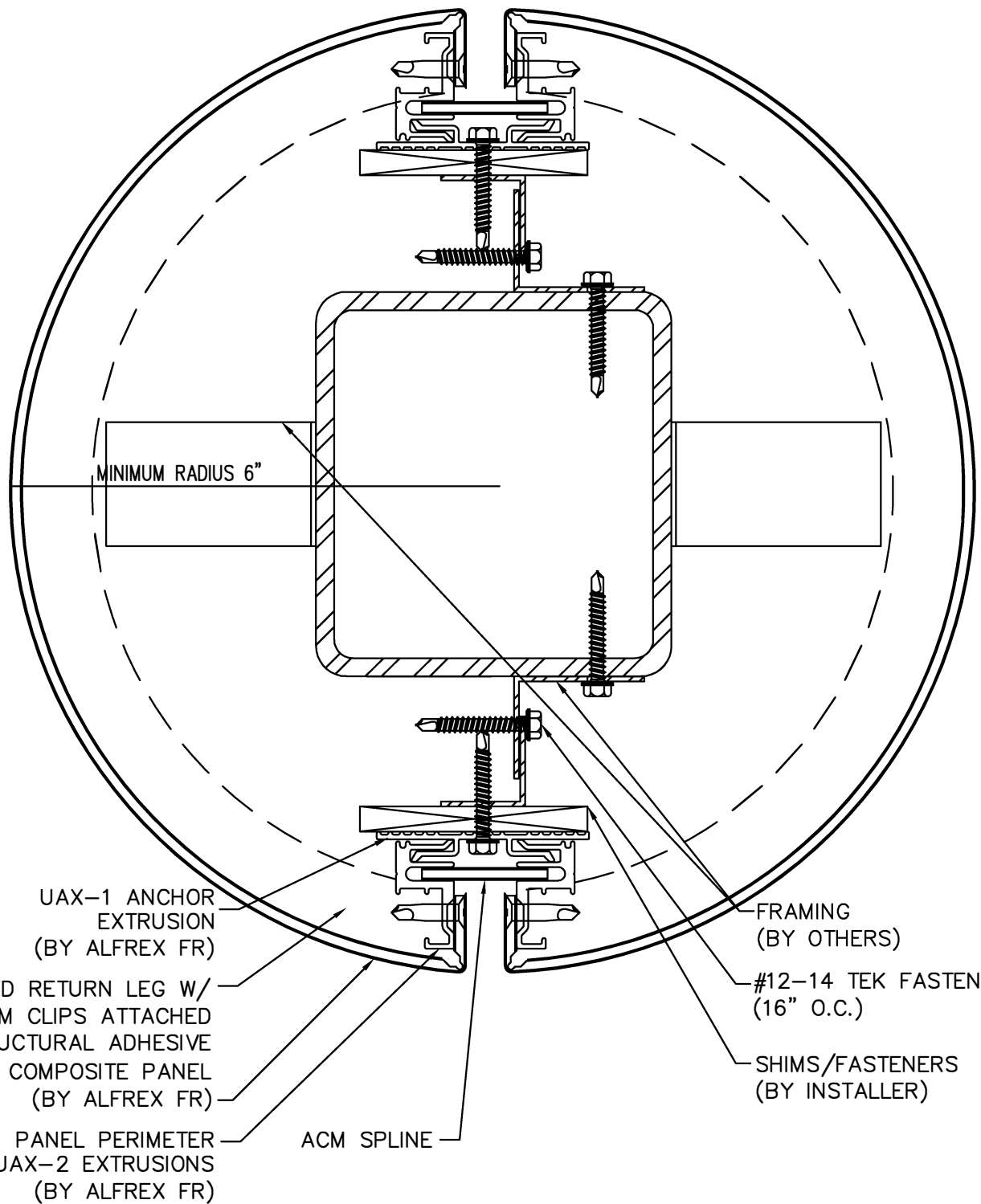
Office +1 470 589 7449 alfrex@alfrexusa.com

ALFLEX RAINSCREEN
 PANEL APPLICATION

PAGE

11

February 2019



12 ROUND COLUMN COVER
 AL SCALE: 6" = 1'-0"

alfrex

943 Gainesville Hwy. Bldg 100-4000
 Buford, GA 30518

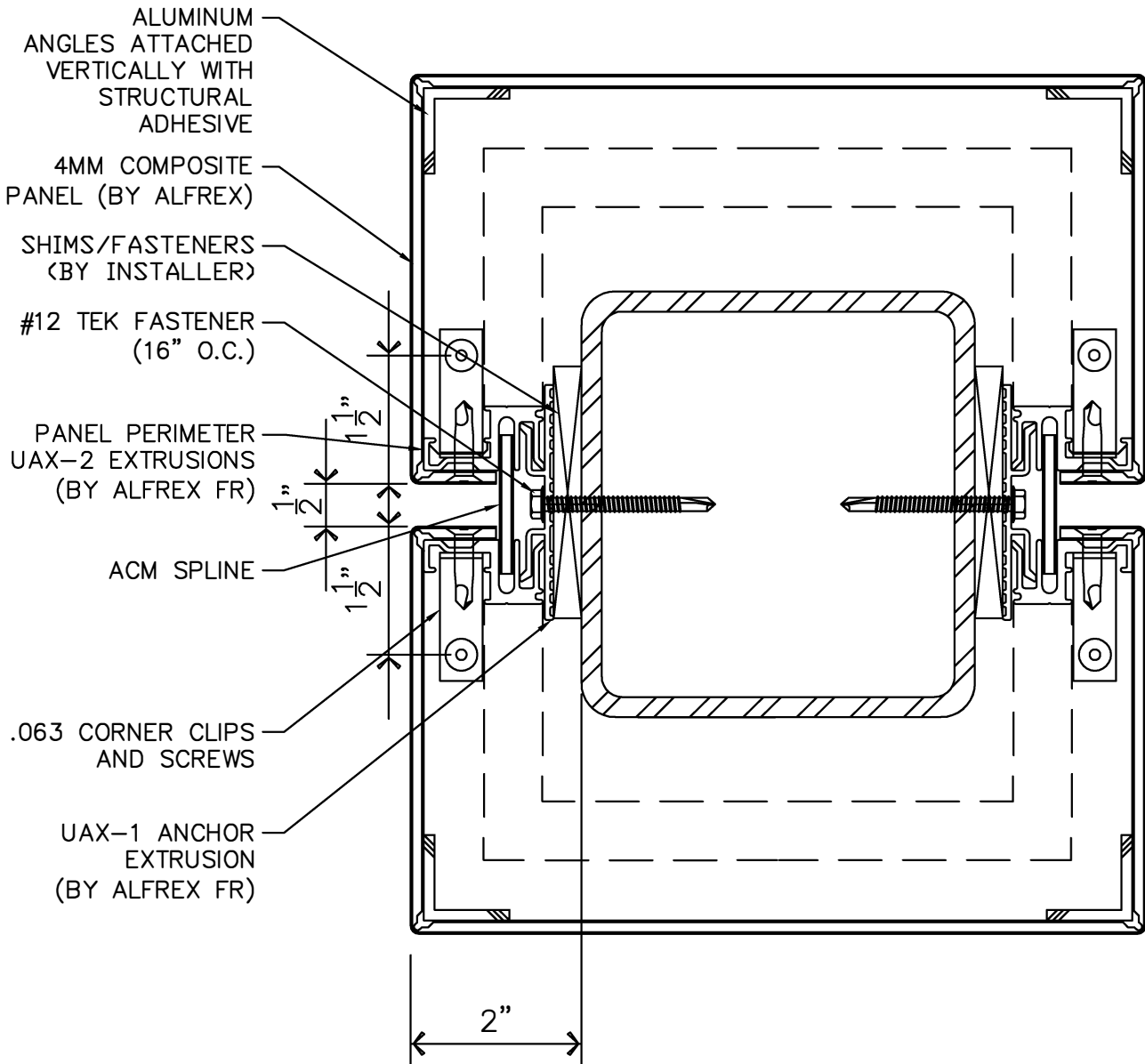
Office +1 470 589 7449 alfrex@alfrexusa.com

ALFLEX RAINSCREEN
 PANEL APPLICATION

PAGE

12

February 2019



13 SQUARE COLUMN COVER
 AL SCALE: 6" = 1'-0"

alfrex

943 Gainesville Hwy. Bldg 100-4000
 Buford, GA 30518

Office +1 470 589 7449 alfrex@alfrexusa.com

ALFLEX RAINSCREEN
 PANEL APPLICATION

PAGE

13

February 2019